

PART NUMBER BREAKDOWN

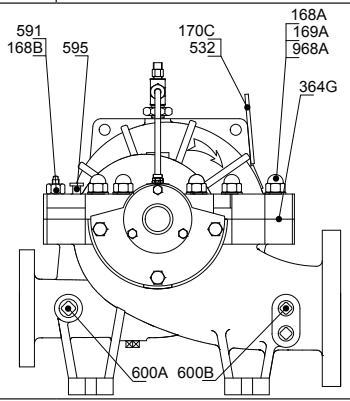
ITEM	PART NUMBER	DESCRIPTION	QUANTITY	MATERIAL
202-SC304008-070		3x4-8 SC CASING ASSEMBLY	1	DI
168A	168-0012-304	NUT, M12	2	304SS
168B	168-1016-304	NUT, ACORN, M16	16	304SS
169A	169-1650-304	STUD, DOUBLE ENDED, M16x50	16	304SS
170A	170-0510-304	CAPSCREW, M8x70	6	304SS
170B	170-1650-304	CAPSCREW, M16x50	6	304SS
170C	170-N0820-304	SCREW, NAMEPLATE, M8x20	2	304SS
180A	180-SC304008A-070	LOWER CASING, 3x4-8 SC	1	DI
180B	180-SC304008B-070	UPPER CASING, 3x4-8 SC	1	DI
364G	364-SC304008A-855	GASKET, CASING, 0.30 MM, 3x4-8 SC	1	FIBRE
364G	364-SC304008B-855	GASKET, CASING, 0.30 MM, 3x4-8 SC	1	FIBRE
532	532-TB125-125-070	SUPPORT, NAMEPLATE	1	DI
591	591-0816-304	PIN, M6x14	4	304SS
591A	591-1285-304	PIN, M12x85	2	304SS
595	595-1260-304	JACKSCREW, CASING, M12x60	4	304SS
600C	600-10500-304	PLUG, 0.500 INCH NPT	7	304SS
872	872-SC304008-304	FLUSH PLAN ASSEMBLY, 0.250 INCH NPT	1	304SS
875	875-SC304008-104	DRAIN PLAN ASSEMBLY, 0.750 INCH NPT	1	CI
968A	968-1016-304	WASHER, FLAT, M16	16	304SS
968B	968-2016-304	WASHER, LOCK WASHER, M16	6	304SS
998	998-DSZ00-304	GUARD, STUFFING BOX, DSZ-00	2	ALUM

COMPLETE PUMP MODEL DESIGNATION

3x4-8 SC

CASING ASSEMBLY PART NUMBER

202-SC304008-070

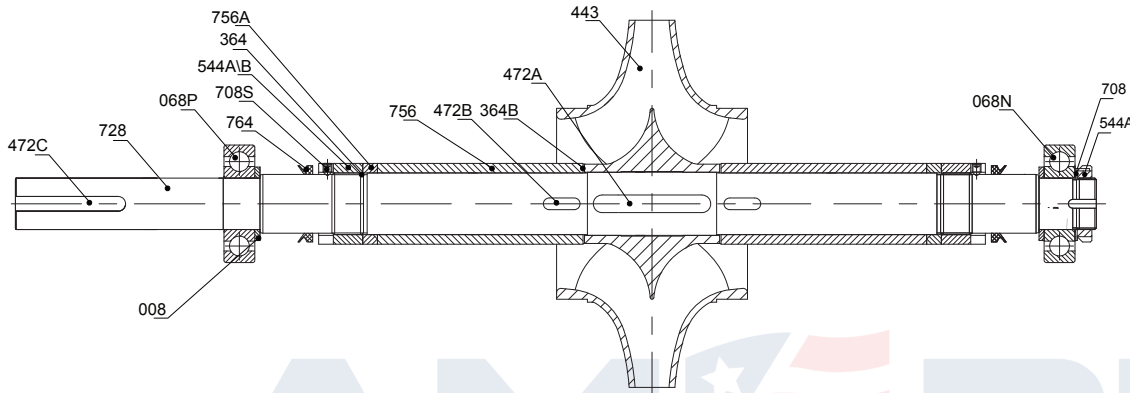


AMERIFLO
125 MORRISON ROAD, ROSSVILLE, TN 38066

SC FLEX-COUPLED SPLIT CASE

DRAWING NUMBER
SC-304008-PARTS

NOTES:
BOLD ITEMS ARE RECOMMENDED SPARE PARTS.



PART NUMBER BREAKDOWN

ITEM	PART NUMBER	DESCRIPTION	QUANTITY	MATERIAL
702-SC304008RH-304		3x4-8 SC ROTATING ASSEMBLY	1	304SS
168C	168-0010-304	NUT, M10	4	304SS
169C	169-1035-304	STUD, DOUBLE END, M10x35	4	304SS
364	364-35.5X2.65-605	O-RING, SHAFT SLEEVE, M35.5x2.65	2	NBR
364B	364-36X52-601	GASKET, SHAFT SLEEVE, M36x52	2	TEFLON
372	372-B2101-66-45-208	GLAND, PACKING, B2101-66-45	2	BRONZE
443	443-SC304008-304	IMPELLER, 3x4-8 SC	1	304SS
472A	472-080755-304	KEY, M10x8x100	1	304SS
472B		N/A		
544A	544-36X1.5A-304	SHAFT SLEEVE NUT, RH, M35x1.5	1	304SS
544B	544-36X1.5B-304	SHAFT SLEEVE NUT, LH, M35x1.5	1	304SS
567	567-1010205-802	PACKING, M10x10x205, SET (6 RINGS)	2	TEFLON
676L	676-B2102-70-45-304	LANTERN RING, B2102-70-45	2	304SS
676W	676-11013015-208	WEAR RING, CASE, M110x130x15	2	BRONZE
708S	708-HH0506-304	SETSCREW, M5x6	6	304SS
728	728-SC304008RH-420	SHAFT, RIGHT HAND, 3x4-8 SC	1	420SS
756	756-SC304008-304	SHAFT SLEEVE, PACKING, 3x4-8 SC	2	304SS
756A	756-SC6010245-304	SHAFT SLEEVE, GLAND, 601.02-45	2	304SS
764	764-VD30A-605	SLINGER, SHAFT, VD30A	2	NBR

COMPLETE PUMP MODEL DESIGNATION

3x4-8 SC

COMPLETE PUMP PART NUMBER (304SS FITTED)

5030-304008RH-DI/304
5030-304008LH-DI/304

ITEMS INCLUDED

- 168C, 169C, 364, 364B, 364G, 372, 472A, 472B, 472C, 544A, 544B, 567, 676L, 708S, 756, 756A, 764
- 168C, 169C, 364, 364B, 364G, 372, 443, 472A, 472B, 472C, 544A, 544B, 567, 676L, 676W, 708S, 728, 756, 756A, 764, 705-207-307-030, 705-307-6307-030

MODULE 35

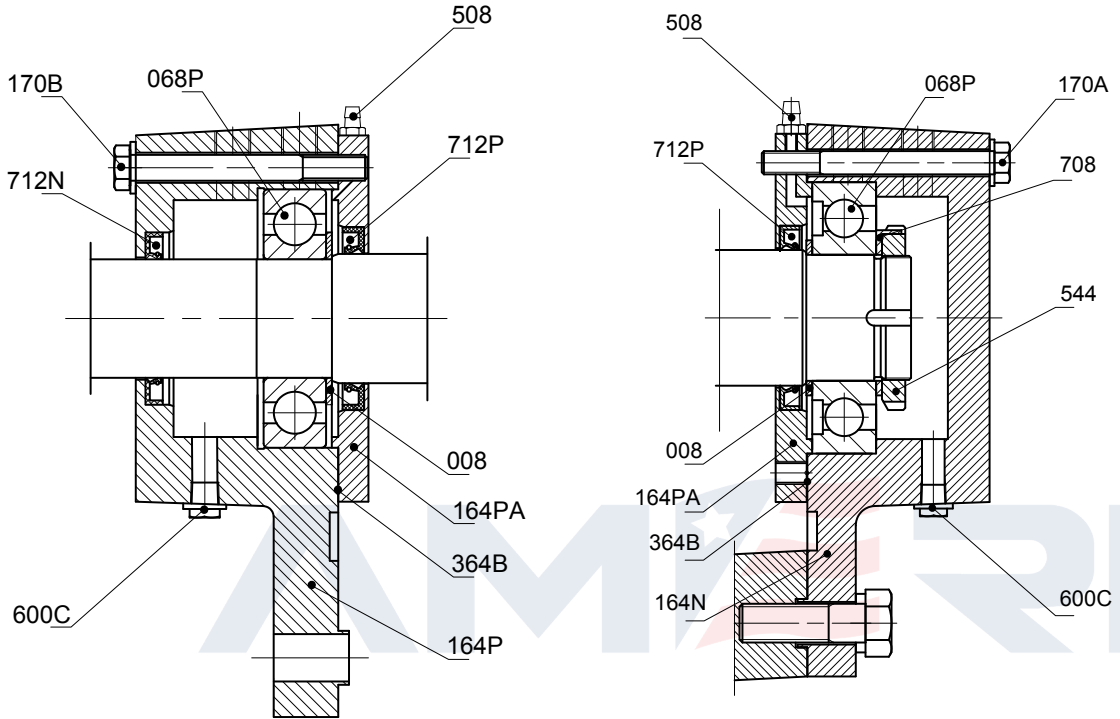
AMERIFLO
 125 MORRISON ROAD, ROSSVILLE, TN 38066

SC FLEX-COUPLED SPLIT CASE

DRAWING NUMBER
 SC-304008-MOD35

NOTES:
 BOLD ITEMS ARE RECOMMENDED SPARE PARTS.

KIT ASSEMBLY	PART NUMBER
OVERHAUL KIT	750-SC304008-304
ROTATING ASSEMBLY	702-SC304008RH-304 702-SC304008LH-304



COMPLETE PUMP MODEL DESIGNATION

3x4-8 SC

COMPLETE PUMP PART NUMBER (304SS FITTED)

5030-304008-DI/304

NOTES:
BOLD ITEMS ARE RECOMMENDED SPARE PARTS.

PART NUMBER BREAKDOWN

ITEM	PART NUMBER	DESCRIPTION	QUANTITY	MATERIAL
705-207-6306-030		6306 BRG HOUSING ASSEMBLY, IN	1	DI/304
008	008-6306-104	BEARING, SHIM, 6306	2	STL
068	068-6306-104	BEARING, SKF 6306	1	STL
164P	164-207-6306-030	BEARING ARM, INBOARD, 6306	1	CI
164PA	164-6306-030	BEARING HOUSING CAP, 6306	1	CI
170B	170-0870-304	CAPSCREW, M8x70	3	304SS
364	364-10570-855	GASKET, MANILLA, 0.30 MM, M105x72	1	MAN
508	508-5000-104	GREASE FITTING, M6x1	1	STL
600C	600-100250-304	PLUG, 0.250 INCH NPT	1	304SS
600C	600-100375-304	PLUG, 0.375 INCH NPT	1	304SS
605	605-100375-304	VENT PLUG, 0.375 INCH NPT	1	304SS
712P	712-334808-605	LIP SEAL, M33x48x8	1	NBR
968	968-1008-304	WASHER, FLAT, M8	3	304SS
705-307-6306-030		6306 BRG HOUSING ASSEMBLY, OUT	1	CI
008	008-6306-104	BEARING, SHIM, 6306	1	STL
068	068-6306-104	BEARING, 6306	1	STL
164N	164-307-6306-030	BEARING ARM, INBOARD, 6306	1	CI
164P	164-6306-030	BEARING HOUSING CAP, 6306	1	CI
170A	170-0870-304	CAPSCREW, M8x70	3	304SS
364	364-10570-855	GASKET, MANILLA, 0.30 MM, M105x72	1	MAN
508	508-5000-104	GREASE FITTING, M6x1	1	STL
544	544-M3015-104	LOCKNUT, BEARING, M30x1.5	1	STL
600C	600-100250-304	PLUG, 0.250 INCH NPT	1	304SS
600C	600-100375-304	PLUG, 0.375 INCH NPT	1	304SS
605	605-100375-304	VENT PLUG, 0.375 INCH NPT	1	304SS
708	708-0030-104	LOCKWASHER, BEARING, M30	1	STL
712	712-334808-605	LIP SEAL, M33x48x8	1	NBR
968	968-1008-304	WASHER, FLAT, M8	3	304SS

AMERIFLO
125 MORRISON ROAD, ROSSVILLE, TN 38066

SC BEARING HOUSING ASSEMBLIES

DRAWING NUMBER
SC-6307-PARTS