

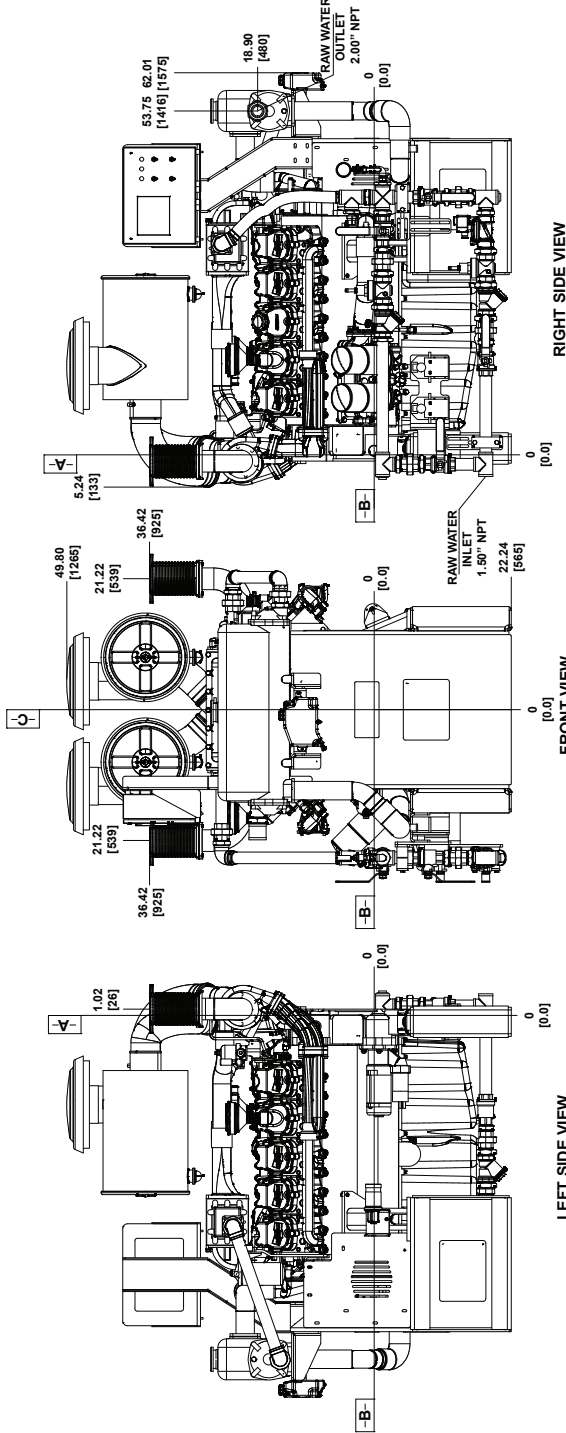
DATUMS:

- A- DIMENSIONAL FACE OF FLYWHEEL
- B- ENGINE HORIZONTAL CENTER (CRANKSHAFT)
- C- ENGINE VERTICAL CENTER (CRANKSHAFT)

NOTES:

1. FUEL SUPPLY PIPING MINIMUM INSIDE DIAMETER FROM TANK TO ENGINE MUST BE ≥ 0.512 [13].
2. FUEL RETURN PIPING MINIMUM INSIDE DIAMETER FROM TANK TO ENGINE MUST BE ≥ 0.512 [13].

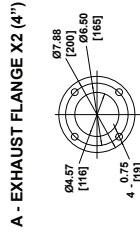
DRAWING SUBJECT TO CHANGE WITHOUT NOTICE.



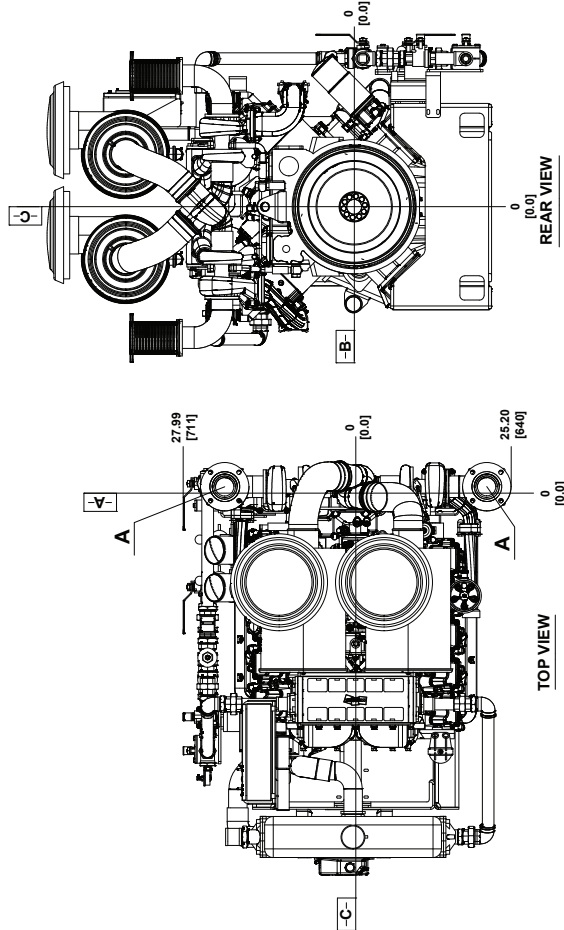
LEFT SIDE VIEW

FRONT VIEW

RIGHT SIDE VIEW



A - EXHAUST FLANGE X2 (4")

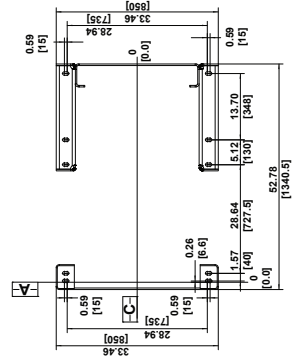
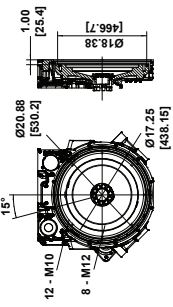


TOP VIEW

REAR VIEW

SCALE 2:1

FLYWHEEL HOUSING SAE #1 FLYWHEEL 14.00



MOUNTING DIMENSIONS

NOTES:
 1. ALL PLUMBING MUST BE SUPPORTED AND/OR ISOLATED SO THAT NO WEIGHT OR STRESS IS APPLIED TO ANY ENGINE COMPONENT.
 2. REFER TO SPECIFIC MODELS' INSTALLATION, OPERATION & MAINTENANCE MANUAL FOR INSTALLATION GUIDELINES.

REV	AF10-128-00	DATE:	09/01/2020	DATE:	09/01/2020	DATE:		DATE:		DATE:		SCALE:	NONE	PAGE:	1	OF:	1
UNITS	[IN/MM]	DRW BY:	MJF	CHK BY:	MJF	APPROVED:		DESCRIPTION	CREATION	DWN	APVD						
PROJECT:	AF10-128-00	INSTALLATION DRAWING	DIESEL FIRE PUMP DRIVER	MODEL AF10-128													
PROJECTION:		NAME:															
MATERIAL:		PART NO.:															

