

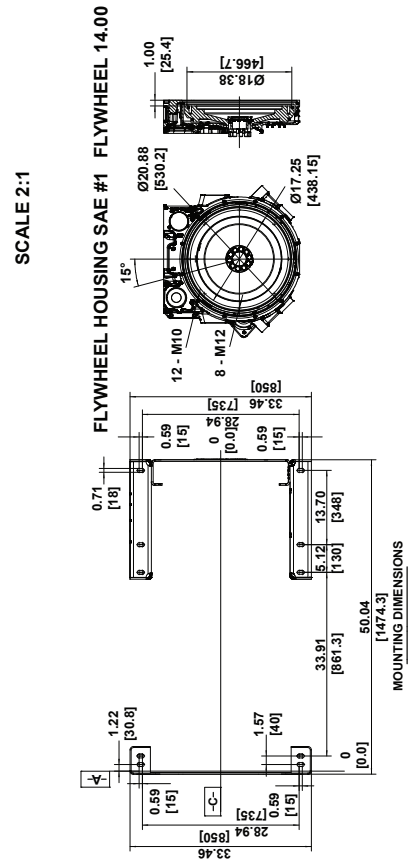
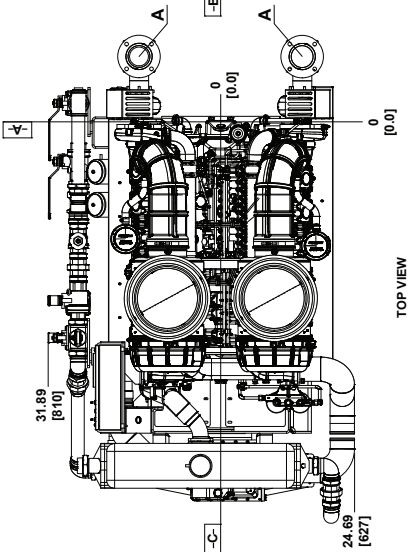
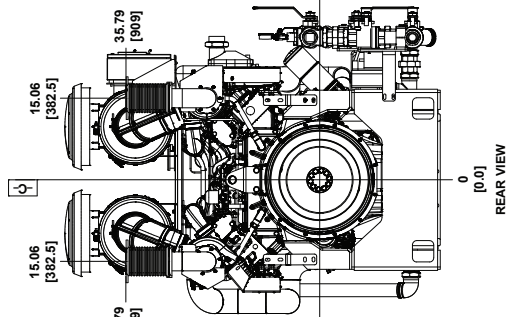
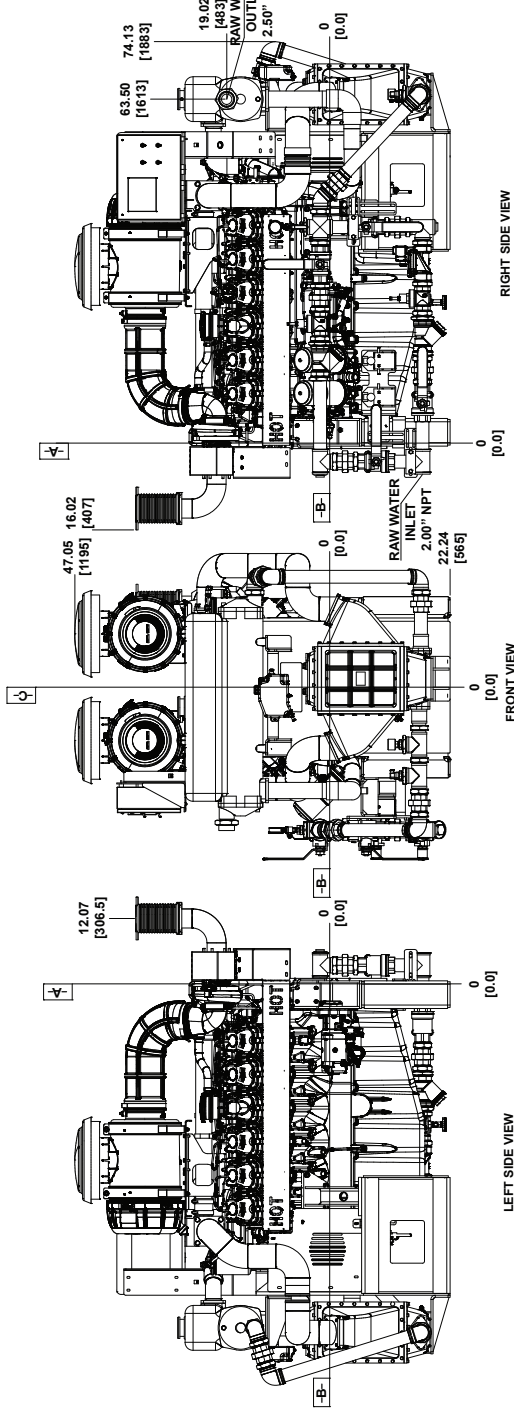
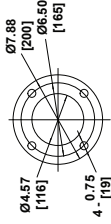
DATUMS:
-A- — DIMENSIONAL FACE OF FLYWHEEL
-B- — ENGINE HORIZONTAL CENTER (CRANKSHAFT)
-C- — ENGINE VERTICAL CENTER (CRANKSHAFT)

NOTES:

- FUEL SUPPLY PIPING MINIMUM INSIDE DIAMETER FROM TANK TO ENGINE MUST BE ≥ 0.512 [13].
- FUEL RETURN PIPING MINIMUM INSIDE DIAMETER FROM TANK TO ENGINE MUST BE ≥ 0.512 [13].

DRAWING SUBJECT TO CHANGE WITHOUT NOTICE.

A - EXHAUST FLANGE X2 (4"*)



SCALE 2:1

REV		UNITS	
REV	DESCRIPTION	DATE	APVD
A	CREATION	09/01/2020	MJF
REV			

		PROJECT: INSTALLATION DRAWING DIESEL FIRE PUMP DRIVER MODEL AF12-128C	
DRW BY: MJF DATE: 09/01/2020		PROJECTION:	
CHK BY: MJF DATE: 09/01/2020		PART NO: AF12-128C-00	
APPROVED: DATE:		MATERIAL:	
SCALE:	PAGE:	OF:	
NONE	1	1	

NOTES:
 1. ALL PLUMBING MUST BE SUPPORTED AND/OR ISOLATED SO THAT NO WEIGHT OR STRESS IS APPLIED TO ANY ENGINE COMPONENT.
 2. REFER TO SPECIFIC MODELS' INSTALLATION, OPERATION & MAINTENANCE MANUAL FOR INSTALLATION GUIDELINES.