

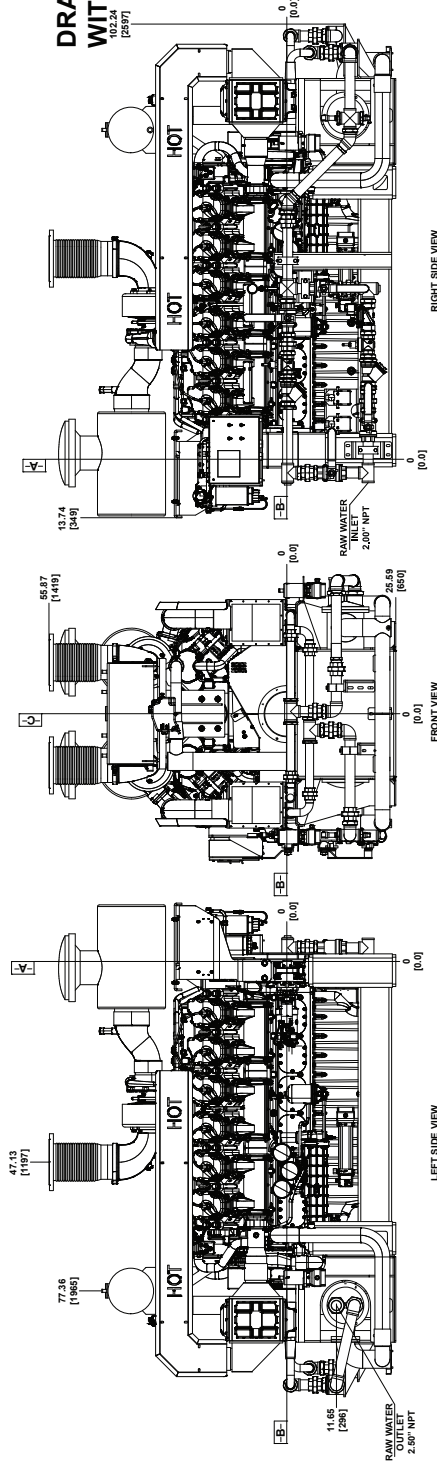
**DATUMS:**

- A- — DIMENSIONAL FACE OF FLYWHEEL
- B- — ENGINE HORIZONTAL CENTER (CRANKSHAFT)
- C- — ENGINE VERTICAL CENTER (CRANKSHAFT)

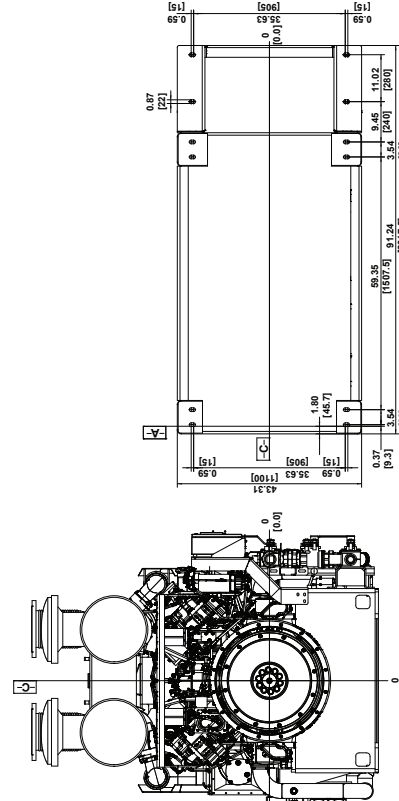
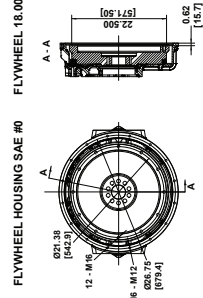
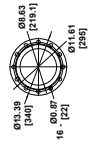
**NOTES:**

1. FUEL SUPPLY PIPING MINIMUM INSIDE DIAMETER FROM TANK TO ENGINE MUST BE  $\geq 0.500$  [12].
2. FUEL RETURN PIPING MINIMUM INSIDE DIAMETER FROM TANK TO ENGINE MUST BE  $\geq 0.500$  [12].

**DRAWING SUBJECT TO CHANGE WITHOUT NOTICE.**



**A - EXHAUST FLANGE**



**Mounting Dimensions**

**NOTES:**

1. ALL PLUMBING MUST BE SUPPORTED AND/OR ISOLATED SO THAT NO WEIGHT OR STRESS IS APPLIED TO ANY ENGINE COMPONENT.
2. REFER TO SPECIFIC MODELS' INSTALLATION, OPERATION & MAINTENANCE MANUAL FOR INSTALLATION GUIDELINES.

<b>AMERIFLO</b>		<b>REV</b>	
NAME: INSTALLATION DRAWING DIESEL FIRE PUMP DRIVER MODEL AF12-150		UNITS [IN/MM]	
DRW BY: MJF	DATE: 07/24/2024	PROJECTION:	SCALE: NONE
CHK BY: MJF	DATE: 07/24/2012	PROJECT:	PAGE OF 1 1
APPROVED: DATE:		PART NO.: AF12-150	
DESCRIPTION		MATERIAL:	
CREATION	MJF	APVD	
REV	DWN	DATE	