

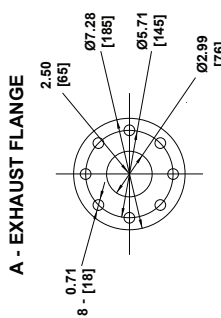
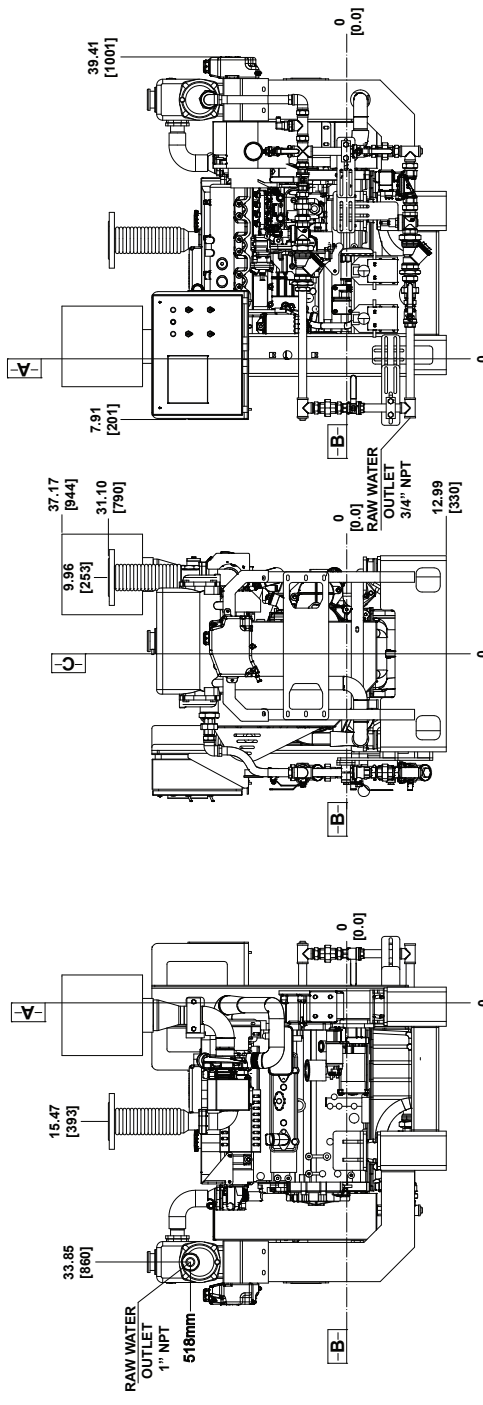
**DATUMS:**

- A-** — DIMENSIONAL FACE OF FLYWHEEL
- B-** — ENGINE HORIZONTAL CENTER (CRANKSHAFT)
- C-** — ENGINE VERTICAL CENTER (CRANKSHAFT)

**NOTES:**

1. FUEL SUPPLY PIPING MINIMUM INSIDE DIAMETER FROM TANK TO ENGINE MUST BE  $\geq 0.398$  [10].
2. FUEL RETURN PIPING MINIMUM INSIDE DIAMETER FROM TANK TO ENGINE MUST BE  $\geq 0.398$  [10].

**DRAWING SUBJECT TO CHANGE WITHOUT NOTICE.**



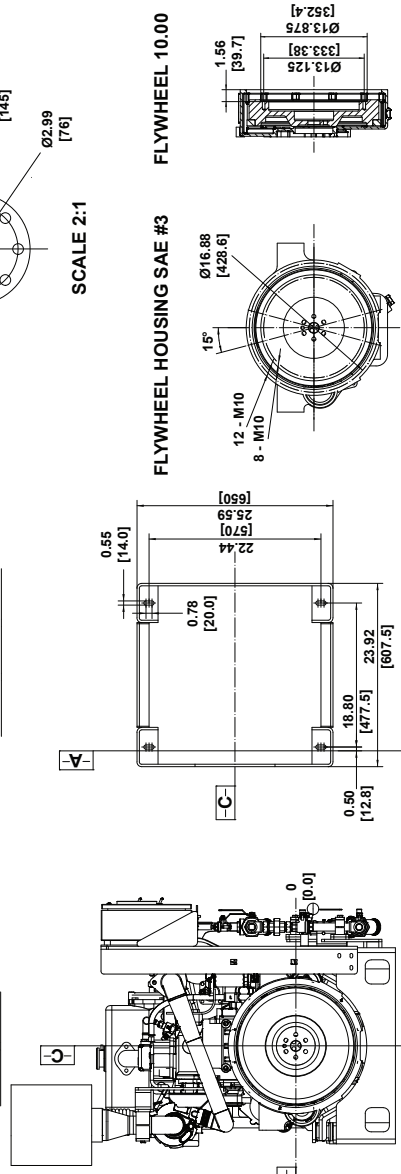
SCALE 2:1

**RIGHT SIDE VIEW**

**FRONT VIEW**

**LEFT SIDE VIEW**

**FLYWHEEL HOUSING SAE #3 FLYWHEEL 10.00**



**MOUNTING DIMENSIONS**

**REAR VIEW**

**TOP VIEW**

REV		UNITS
REV	DESCRIPTION	[IN/MM]
A	CREATION	MJF
REV		

DRW BY: MJF	DATE: 09/01/2020	INSTALLATION DRAWING DIESEL FIRE PUMP DRIVER MODEL AFA4-102B	PROJECT:
CHK BY:	DATE:	PART NO.: AFA4-102B-00	SCALE: NONE
APPROVED: DATE:	DATE:	PAGE: 1	OF 1
MATERIAL:			

**NOTES:**

1. ALL PLUMBING MUST BE SUPPORTED AND/OR ISOLATED SO THAT NO WEIGHT OR STRESS IS APPLIED TO ANY ENGINE COMPONENT.
2. REFER TO SPECIFIC MODELS' INSTALLATION, OPERATION & MAINTENANCE MANUAL FOR INSTALLATION GUIDELINES.