

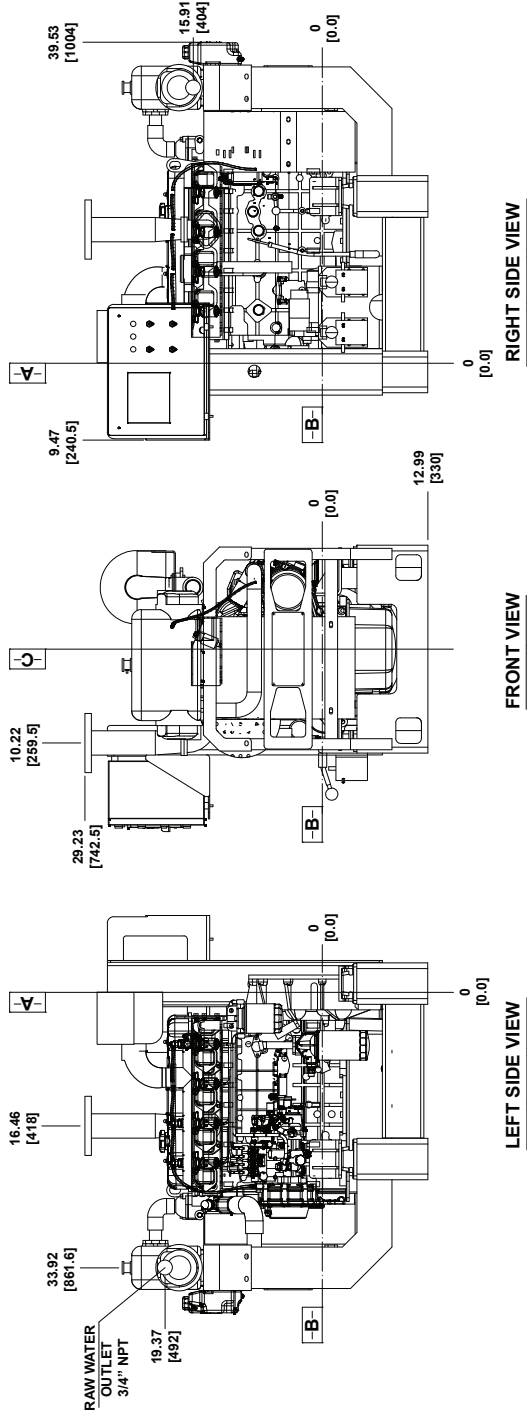
DATUMS:

- A- DIMENSIONAL FACE OF FLYWHEEL
- B- ENGINE HORIZONTAL CENTER (CRANKSHAFT)
- C- ENGINE VERTICAL CENTER (CRANKSHAFT)

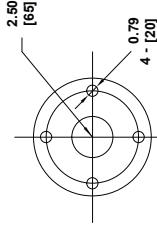
NOTES:

1. FUEL SUPPLY PIPING MINIMUM INSIDE DIAMETER FROM TANK TO ENGINE MUST BE ≥ 0.398 [10].
2. FUEL RETURN PIPING MINIMUM INSIDE DIAMETER FROM TANK TO ENGINE MUST BE ≥ 0.398 [10].

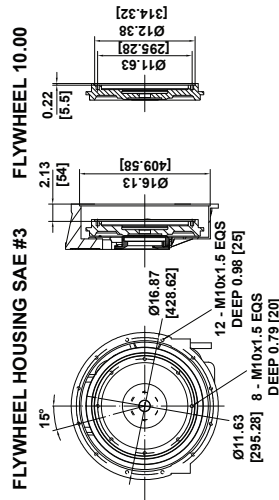
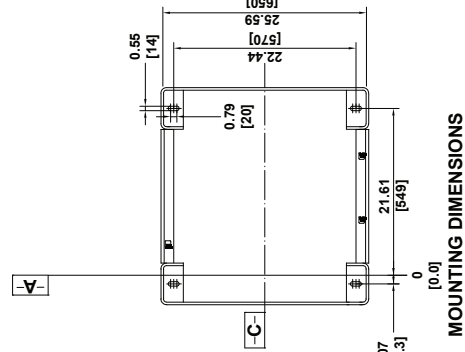
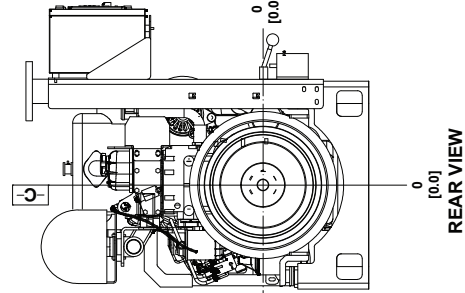
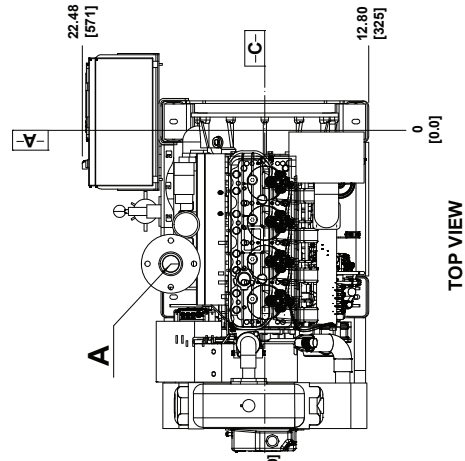
DRAWING SUBJECT TO CHANGE WITHOUT NOTICE.



A - EXHAUST FLANGE



SCALE 2:1



NOTES:

1. ALL PLUMBING MUST BE SUPPORTED AND/OR ISOLATED SO THAT NO WEIGHT OR STRESS IS APPLIED TO ANY ENGINE COMPONENT.
2. REFER TO SPECIFIC MODELS' INSTALLATION, OPERATION & MAINTENANCE MANUAL FOR INSTALLATION GUIDELINES.

REV	UNITS	AMERIFLO	PROJECT:	SCALE:	PAGE:	OF:
	[N/MMM]			NONE	1	1
DRW BY:	DATE:	NAME:	INSTALLATION DRAWING			
MJF	09/01/2020	DIESEL FIRE PUMP DRIVER	MODEL AF4-105			
CHK BY:	DATE:	PART NO.:	AF4-105-00			
APPROVED:	DATE:	MATERIAL:				
A	09/01/2020					
REV	DESCRIPTION	DWN	APVD	DATE		