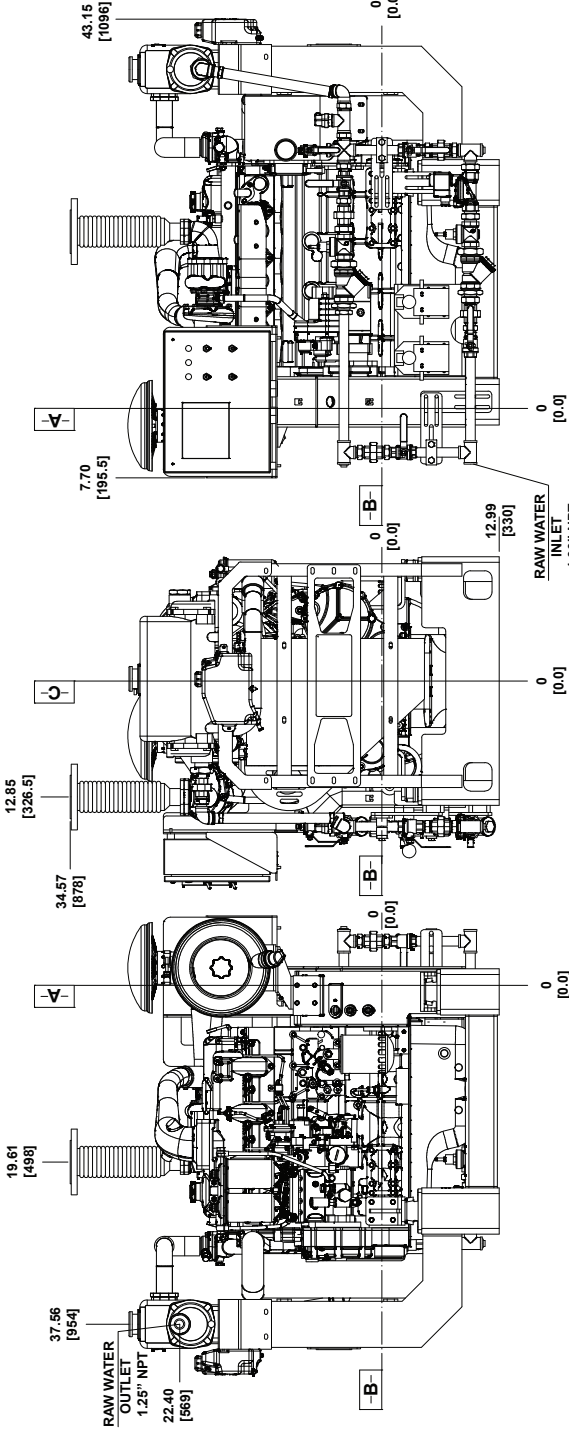


DATUMS:
A — DIMENSIONAL FACE OF FLYWHEEL
B — ENGINE HORIZONTAL CENTER (CRANKSHAFT)
C — ENGINE VERTICAL CENTER (CRANKSHAFT)

NOTES:
 1. FUEL SUPPLY PIPING MINIMUM INSIDE DIAMETER FROM TANK TO ENGINE MUST BE ≥ 0.398 [10].
 2. FUEL RETURN PIPING MINIMUM INSIDE DIAMETER FROM TANK TO ENGINE MUST BE ≥ 0.398 [10].

DRAWING SUBJECT TO CHANGE WITHOUT NOTICE.

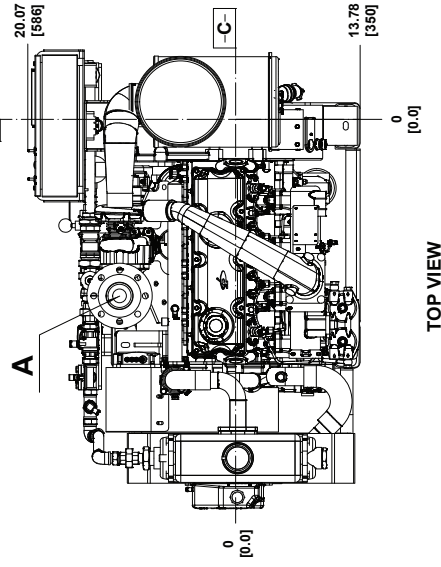
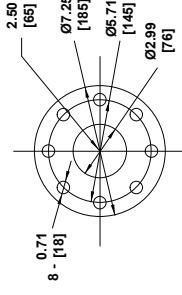


LEFT SIDE VIEW

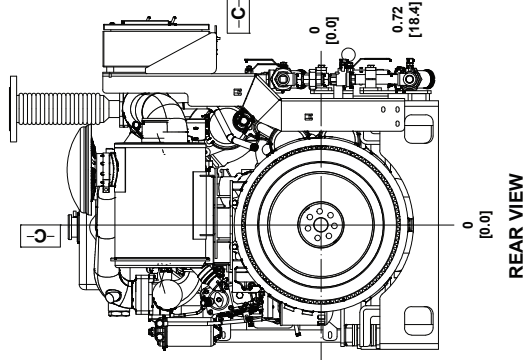
FRONT VIEW

RIGHT SIDE VIEW

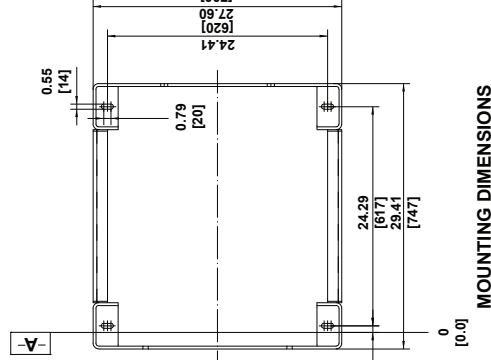
A - EXHAUST FLANGE



TOP VIEW



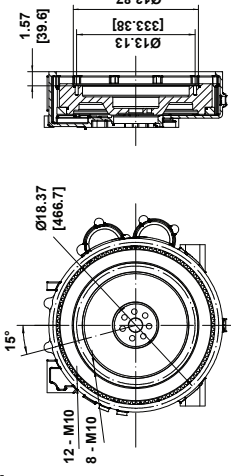
REAR VIEW



MOUNTING DIMENSIONS

SCALE 2:1

FLYWHEEL HOUSING SAE #2 FLYWHEEL 11.50



NOTES:
 1. ALL PLUMBING MUST BE SUPPORTED AND/OR ISOLATED SO THAT NO WEIGHT OR STRESS IS APPLIED TO ANY ENGINE COMPONENT.
 2. REFER TO SPECIFIC MODELS' INSTALLATION, OPERATION & MAINTENANCE MANUAL FOR INSTALLATION GUIDELINES.

		INSTALLATION DRAWING DIESEL FIRE PUMP DRIVER MODEL AFA4-108B	PROJECT: 	UNITS [IN/MM]
DRW BY: MJF	DATE: 09/01/2020	PART NO.: AFA4-108B-00	SCALE: NONE	PAGE: 1
CHK BY: MJF	DATE: 09/01/2020	MATERIAL:	SCALE: NONE	PAGE: 1
REV	DESCRIPTION	APVD	DATE	OF
A	CREATION	DWN		1
REV				1