

AMERIFLO

INSTALLATION DRAWING
DIESEL FIRE PUMP DRIVER
MODEL AF4-90

PROJECT: _____

PART NO.: **AF4-90-00**

MATERIAL: _____

SCALE: NONE

PAGE: 1

OF: 1

REV	DESCRIPTION	DWN	APVD	DATE
A	CREATION	MJF		09/01/2020
REV				

NOTES:

- ALL PLUMBING MUST BE SUPPORTED AND/OR ISOLATED SO THAT NO WEIGHT OR STRESS IS APPLIED TO ANY ENGINE COMPONENT.
- REFER TO SPECIFIC MODELS' INSTALLATION, OPERATION & MAINTENANCE MANUAL FOR INSTALLATION GUIDELINES.

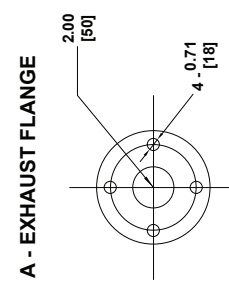
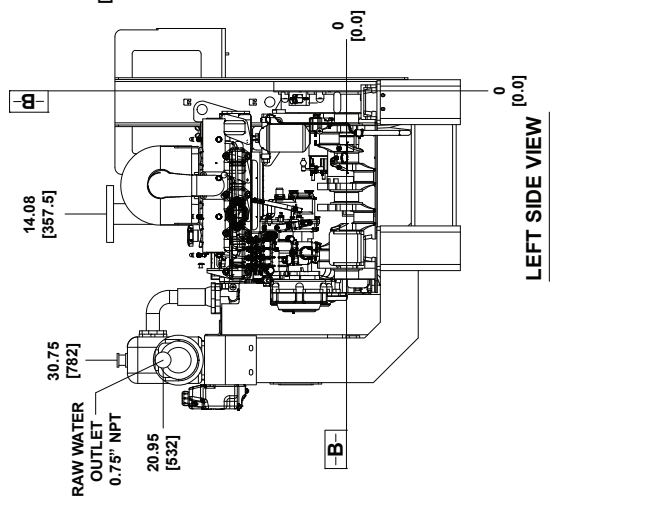
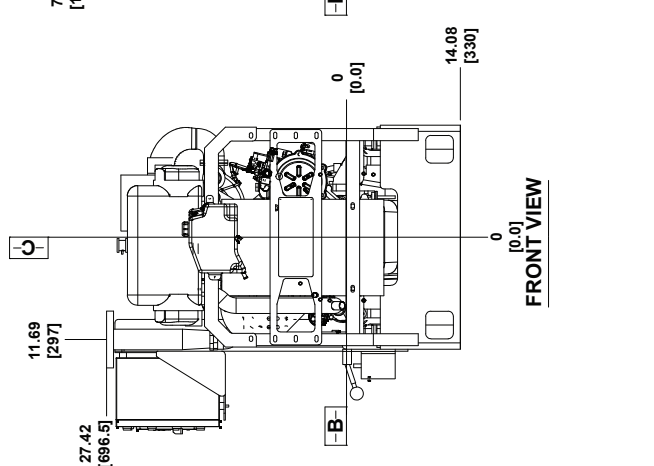
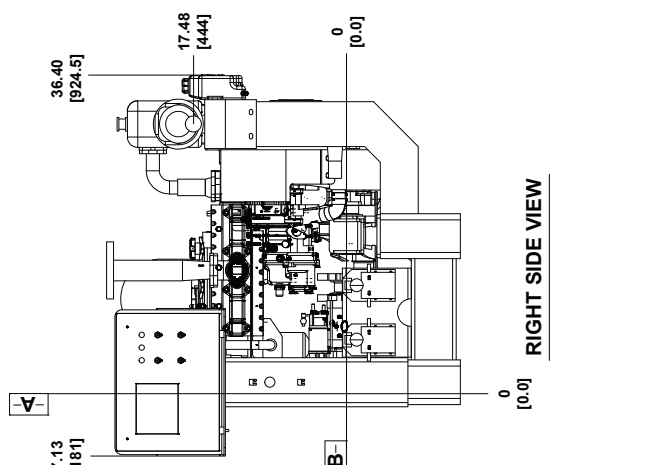
DATUMS:

- A- DIMENSIONAL FACE OF FLYWHEEL
- B- ENGINE HORIZONTAL CENTER (CRANKSHAFT)
- C- ENGINE VERTICAL CENTER (CRANKSHAFT)

NOTES:

- FUEL SUPPLY PIPING MINIMUM INSIDE DIAMETER FROM TANK TO ENGINE MUST BE ≥ 0.313 [8].
- FUEL RETURN PIPING MINIMUM INSIDE DIAMETER FROM TANK TO ENGINE MUST BE ≥ 0.313 [8].

DRAWING SUBJECT TO CHANGE WITHOUT NOTICE.



SCALE 2:1

