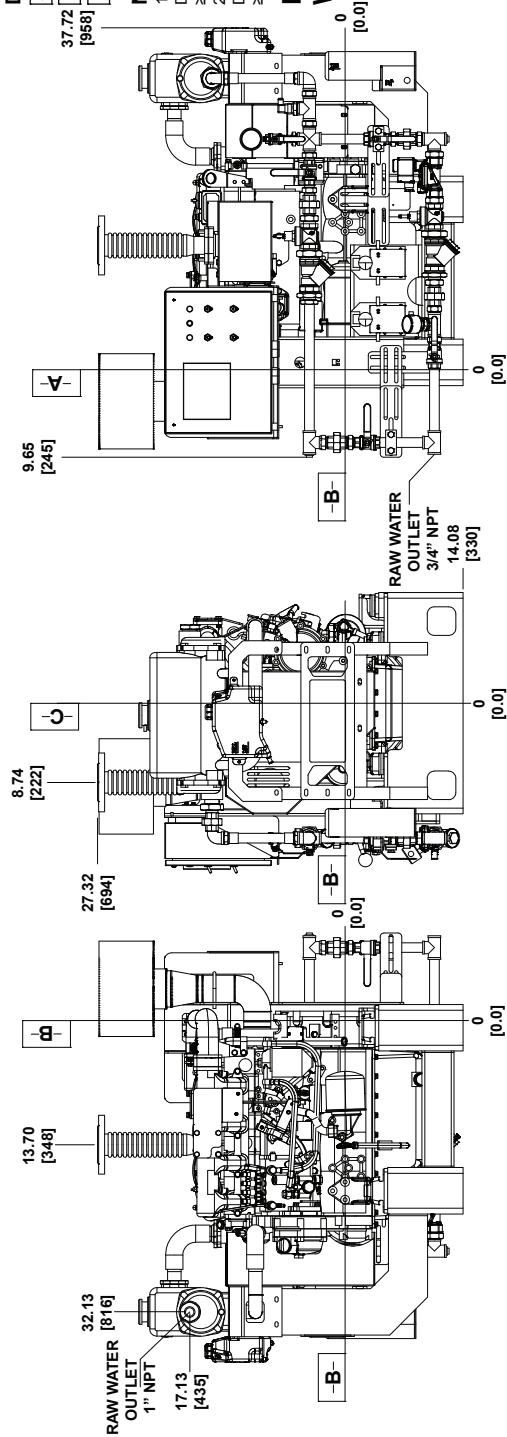


**DATUMS:**  
**-A-** — DIMENSIONAL FACE OF FLYWHEEL  
**-B-** — ENGINE HORIZONTAL CENTER (CRANKSHAFT)  
**-C-** — ENGINE VERTICAL CENTER (CRANKSHAFT)

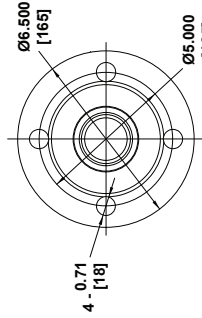
**NOTES:**

- FUEL SUPPLY PIPING MINIMUM INSIDE DIAMETER FROM TANK TO ENGINE MUST BE  $\geq 0.313$  [8].
- FUEL RETURN PIPING MINIMUM INSIDE DIAMETER FROM TANK TO ENGINE MUST BE  $\geq 0.313$  [8].

**DRAWING SUBJECT TO CHANGE WITHOUT NOTICE.**

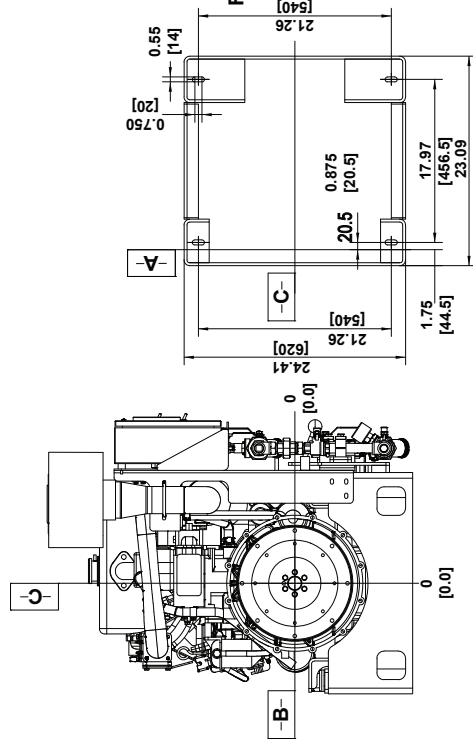
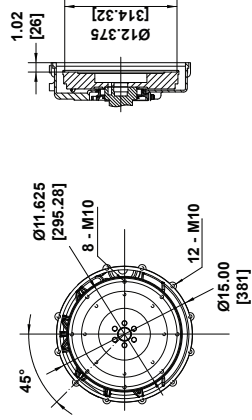


**A - EXHAUST FLANGE**



SCALE 3:1

**FLYWHEEL HOUSING SAE #4 FLYWHEEL 10.00**



**MOUNTING DIMENSIONS**

REV	UNITS	SCALE	PAGE	OF
	[IN/MM]		1	1
		<b>PROJECT:</b> INSTALLATION DRAWING DIESEL FIRE PUMP DRIVER MODEL AF4-90B		
<b>DRW BY:</b> MJF <b>DATE:</b> 09/01/2021		<b>PROJECT:</b>		
<b>CHK BY:</b>		<b>PART NO.:</b> AF4-90B-00		
<b>APPROVED:</b>		<b>MATERIAL:</b>		
A	CREATION	MJF	09/01/2021	DATE
REV	DESCRIPTION	DWN	APVD	DATE

**NOTES:**  
 1. ALL PLUMBING MUST BE SUPPORTED AND/OR ISOLATED SO THAT NO WEIGHT OR STRESS IS APPLIED TO ANY ENGINE COMPONENT.  
 2. REFER TO SPECIFIC MODELS' INSTALLATION, OPERATION & MAINTENANCE MANUAL FOR INSTALLATION GUIDELINES.