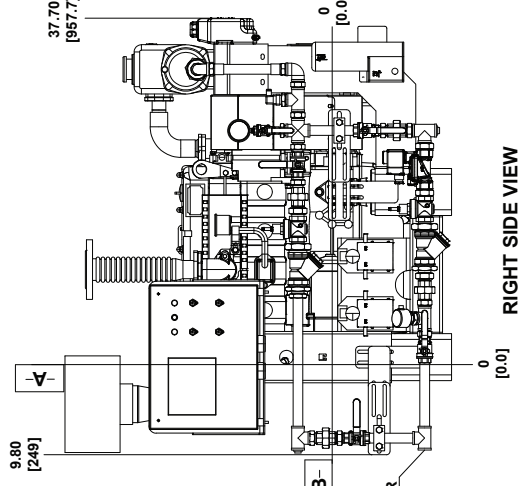


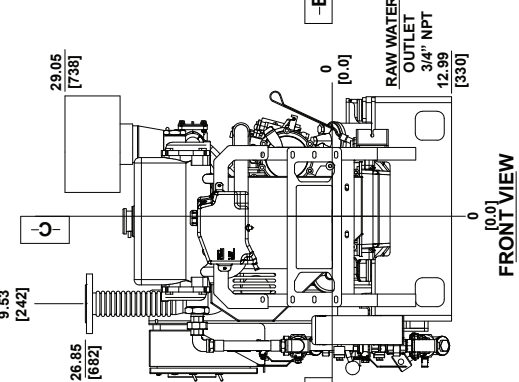
- DATUMS:**
- A-** — DIMENSIONAL FACE OF FLYWHEEL
 - B-** — ENGINE HORIZONTAL CENTER (CRANKSHAFT)
 - C-** — ENGINE VERTICAL CENTER (CRANKSHAFT)

- NOTES:**
1. FUEL SUPPLY PIPING MINIMUM INSIDE DIAMETER FROM TANK TO ENGINE MUST BE ≥ 0.313 [8]
 2. FUEL RETURN PIPING MINIMUM INSIDE DIAMETER FROM TANK TO ENGINE MUST BE ≥ 0.313 [8].

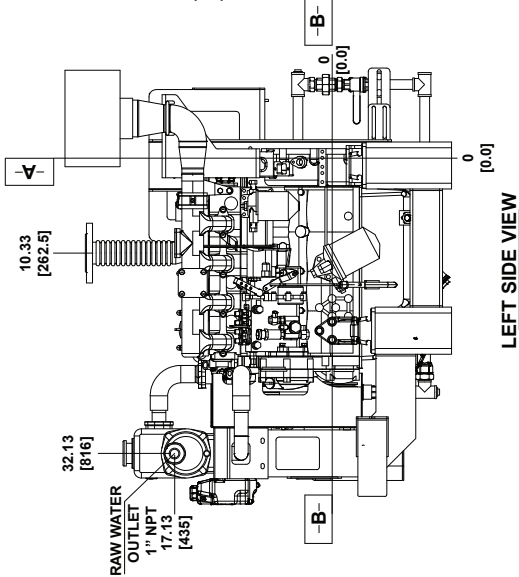
**DRAWING SUBJECT TO CHANGE
WITHOUT NOTICE.**



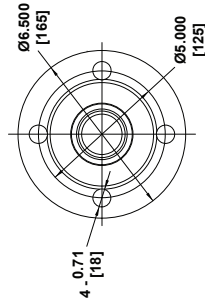
LEFT SIDE VIEW



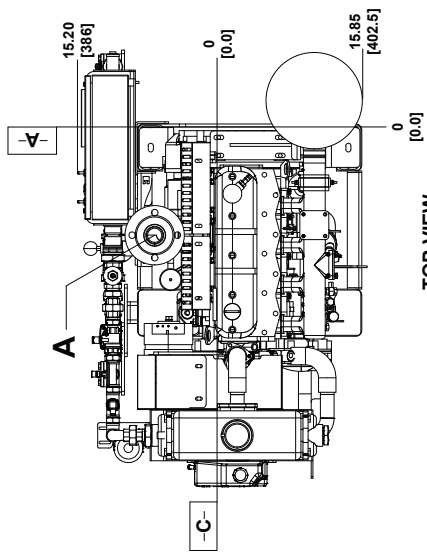
FRONT VIEW



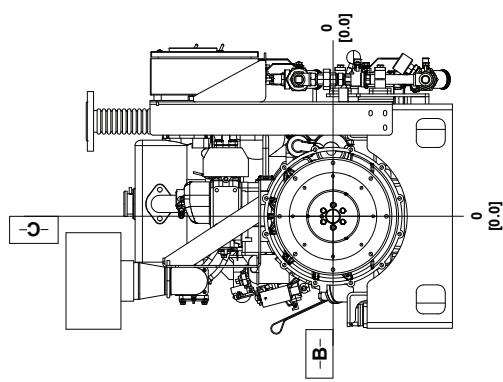
RIGHT SIDE VIEW



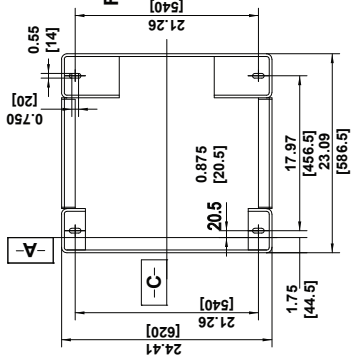
A - EXHAUST FLANGE



TOP VIEW

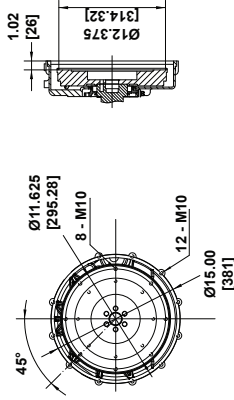


REAR VIEW



MOUNTING DIMENSIONS

FLYWHEEL HOUSING SAE #4 FLYWHEEL 10.00



SCALE 3:1

REV	UNITS	PROJECT	SCALE	PAGE	OF
	[IN/MM]			1	1
		PROJECT:			
DRW BY:	DATE:	NAME:			
MJF	10/01/2022	INSTALLATION DRAWING			
CHK BY:	DATE:	DIESEL FIRE PUMP DRIVER			
		MODEL AF4-90C			
APPROVED:	DATE:	PART NO.:			
		AF4-90C-00			
		MATERIAL:			
A	CREATION	MJF	DWN	APVD	DATE
					10/01/2022
REV	DESCRIPTION				

NOTES:

1. ALL PLUMBING MUST BE SUPPORTED AND/OR ISOLATED SO THAT NO WEIGHT OR STRESS IS APPLIED TO ANY ENGINE COMPONENT.
2. REFER TO SPECIFIC MODELS' INSTALLATION, OPERATION & MAINTENANCE MANUAL FOR INSTALLATION GUIDELINES.