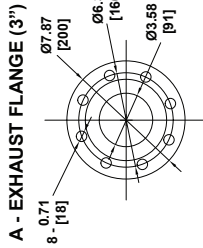


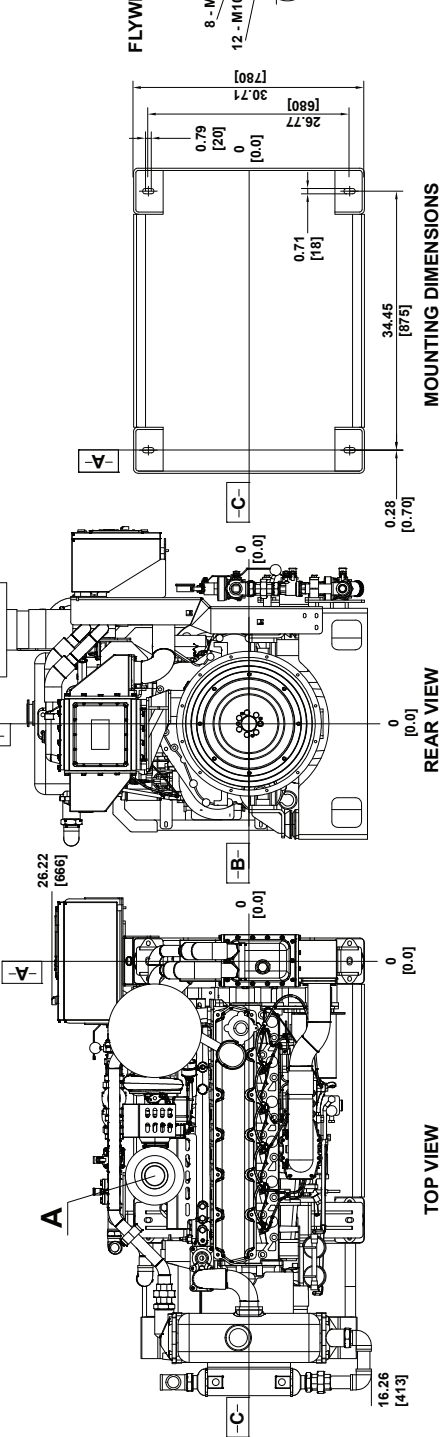
**DATUMS:**  
**-A-** — DIMENSIONAL FACE OF FLYWHEEL  
**-B-** — ENGINE HORIZONTAL CENTER (CRANKSHAFT)  
**-C-** — ENGINE VERTICAL CENTER (CRANKSHAFT)

**NOTES:**  
 1. FUEL SUPPLY PIPING MINIMUM INSIDE DIAMETER FROM TANK TO ENGINE MUST BE  $\geq 0.398$  [10].  
 2. FUEL RETURN PIPING MINIMUM INSIDE DIAMETER FROM TANK TO ENGINE MUST BE  $\geq 0.398$  [10].

**DRAWING SUBJECT TO CHANGE WITHOUT NOTICE.**



SCALE 2:1



REV	UNITS	SCALE	PAGE	OF
	[IN/MM]	NONE	1	1

DRW BY: MJF	DATE: 09/01/2020	INSTALLATION DRAWING	PROJECT: DIESEL FIRE PUMP DRIVER
CHK BY:	DATE:	MODEL: AFS-110D	PROJECT:
APPROVED: DATE:	09/01/2020	PART NO.: AF6-110D-00	MATERIAL:
DESCRIPTION	DWN	APVD	DATE
REV	A	MJF	09/01/2020
CREATION	MJF		

**NOTES:**  
 1. ALL PLUMBING MUST BE SUPPORTED AND/OR ISOLATED SO THAT NO WEIGHT OR STRESS IS APPLIED TO ANY ENGINE COMPONENT.  
 2. REFER TO SPECIFIC MODELS' INSTALLATION, OPERATION & MAINTENANCE MANUAL FOR INSTALLATION GUIDELINES.

