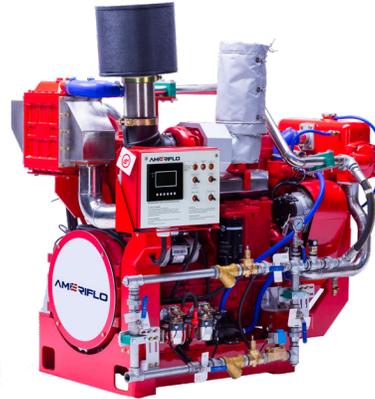


FM - APPROVED RATINGS BHP & KW

ENGINE MODEL:	AF6-114B
EMISSIONS:	TIER 0
DATE:	09/01/2020
DRAWING NUMBER:	AF6-114B.00
PERFORMANCE CURVE NUMBER:	C06128BF
RATED POWER:	305 BHP @ 2100 RPM 227 KW @ 2100 RPM
REFERENCE NUMBER:	14DS001E
VERSION:	A



GENERAL ENGINE DATA

TYPE:	4 CYCLE; INLINE; WATER COOLED	
NUMBER OF CYLINDERS:	6	
ASPIRATION:	TURBOCHARGED + WATER COOLED	
BORE & STROKE - IN [MM]:	4.49 x 5.67 [114 x 144]	
CYLINDER LINER TYPE:	<input checked="" type="checkbox"/> WET <input type="checkbox"/> DRY	
DISPLACEMENT - IN ³ [L]:	538 [8.82]	
COMPRESSION RATIO:	16.5:01	
FIRING ORDER:	1 - 5 - 3 - 6 - 2 - 4	
COMBUSTION SYSTEM:	DIRECT INJECTION	
ROTATION (AS VIEWED FROM FRONT OF ENGINE):	CCW	
VALVES PER CYLINDER:	INTAKE: 2 EXHAUST: 2	
VALVE LASH (COLD ENGINE):	INTAKE - IN [MM]:	0.012 [0.30]
	EXHAUST - IN [MM]:	0.022 [0.55]
IGNITION TYPE:	COMPRESSION (DIESEL)	
CHARGE AIR COOLING TYPE:	RAW WATER	
WEIGHT (FUEL PUMP CONFIGURATION) - LBS [KG]:	2447 [1110]	
DIMENSIONS (L x W x H) - IN [MM]:	61 x 42 x 63 [1540 x 1075 x 1600]	
FLYWHEEL / FLYWHEEL HOUSING DIMENSIONS:	11.50 / SAE #2	
TORQUE @ RATED RPM - LB-FT [N-M]:	762 [1034]	

ENGINE PERFORMANCE DATA

ESTIMATED FREE FIELD SOUND PRESSURE LEVEL AT 3 FEET [1 METER] WITH FULL-LOAD GOVERNED SPEED (INCLUDES NOISE FROM EXHAUST, COOLING SYSTEM AND DRIVEN COMPONENTS)	dBa	≤ 108
ALL DATA IS BASED ON ENGINE OPERATING WITH FUEL SYSTEM, LUBRICATING OIL PUMP, AIR CLEANER AND ALTERNATOR. DOES NOT INCLUDE AIR COMPRESSOR, FAN & OPTIONAL EQUIPMENT. DATA IS BASED ON SAE STANDARD J1349 CONDITIONS AT 300 FEET [91.4 METERS] ALTITUDE, 29.61 INCHES [752 MILLIMETERS] HG DRY BAROMETER AND 77°F [25°C] INTAKE AIR TEMPERATURE USING #0 DIESEL FUEL FOLLOWING THE GB 252-2011 STANDARD.		
ALTITUDE ABOVE WHICH OUTPUT SHOULD BE DERATED:	FEET [METER]	300 [91]
DERATE PER 1,000 FEET [305 METERS] ABOVE ALTITUDE LIMIT:	3%	
TEMPERATURE ABOVE WHICH OUTPUT SHOULD BE DERATED:	°F [°C]	77 [25]
DERATE PER 10°F [5.6°C] ABOVE TEMPERATURE LIMIT:	1%	

● ALL DATA CERTIFIED WITHIN ±5%.

EXHAUST SYSTEM

EXHAUST GAS TEMPERATURE @ MAXIMUM RATING (POWER) - °F [°C]:	≤ 1112 [600] @ 2100 RPM
EXHAUST GAS FLOW @ MAXIMUM OUTPUT - CFM [M ³ /HR]:	1338 [2274] @ 2100 RPM
MAXIMUM ALLOWABLE BACK PRESSURE - PSI [KPA]:	1.45 [10]
MINIMUM EXHAUST PIPE DIAMETER - IN [MM]:	5 [125]

AIR INTAKE SYSTEM

AIR CLEANER TYPE:	DRY TYPE, DISPOSABLE
AIR FLOW - CFM [M ³ /HR]:	611 [1038] @ 2100 RPM
AIR INLET RESTRICTION - PSI [KPA]:	≤ 0.87 [6]

LUBRICATION SYSTEM

OIL CAPACITY (ENGINE ONLY) - QTS [L]:	26.4 [25]
MAXIMUM SUMP OIL TEMPERATURE - °F [°C]:	176 ~ 239 [80 ~ 115]
NORMAL OPERATING OIL PRESSURE RANGE - PSI [BAR]:	43.5 ~ 87.0 [3 ~ 6]
OIL PRESSURE @ IDLE - PSI [BAR]:	> 10.2 [0.70]

COOLING SYSTEM

COOLANT CAPACITY (ENGINE & HEAT EXCHANGER) - QTS [L]:	27.5 [26]		
THERMOSTAT RANGE:	START OPEN - °F [°C]:	180 [82]	
	FULL OPEN - °F [°C]:	199 [93]	
COOLANT PRESSURE MAXIMUM - PSI [BAR]:	13 [0.9]		
RAW WATER PRESSURE RANGE @ HEAT EXCHANGER - PSI [BAR]:	72.5 [5]		
ENGINE NORMAL OPERATING COOLANT TEMPERATURE - °F [°C]:	180 ~ 203 [82 ~ 95]		
RAW WATER COOLING FLOW RATE - GPM [M ³ /HR]:	74.8 [14]		
MINIMUM RAW WATER FLOW @ ENGINE SPEED (RPM)	1470	1760	2100
RAW WATER TEMPERATURES TO 60.8°F [16°C] - GPM [M ³ /HR]:	22.0 [5.0]	22.0 [5.0]	24.2 [5.5]
RAW WATER TEMPERATURES TO 100.4°F [38°C] - GPM [M ³ /HR]:	24.2 [5.5]	24.2 [5.5]	17.6 [6.0]
RAW WATER INTAKE PIPE SIZE:	RAW WATER INLET - IN:	1.00 NPT	
	RAW WATER OUTLET - IN:	1.25 NPT	

HEATER SYSTEM

WATTAGE - W:	3000
VOLTAGE (AC) - V:	220

DC ELECTRICAL SYSTEM

NORMAL SYSTEM VOLTAGE - V:	24
STARTER MOTOR - HP [KW]:	10.0 [7.5]
RECOMMENDED BATTERY SIZE - AH:	180
COLD CRANKING AMPS @ 0°F (-18°C):	950
CHARGING ALTERNATOR OUTPUT - AMPS:	55

① ALL DATA CERTIFIED WITHIN ±5%.

FUEL SYSTEM

INJECTION PUMP:	INLINE, PLUNGER TYPE
INJECTION PUMP ADVANCE ANGLE - °:	8.5
MINIMUM SUPPLY LINE SIZE - IN [MM]:	0.394 [10]
MINIMUM RETURN LINE SIZE - IN [MM]:	0.394 [10]
FUEL MANAGEMENT CONTROL:	MECHANICAL
IDLE SPEED - RPM:	700
GOVERNED SPEED RATE - %:	< 10

① ALL DATA CERTIFIED WITHIN ±5%.



ENGINE MATERIALS & CONSTRUCTION

ENGINE		AIR INTAKE	
CAMSHAFT:		AIR CLEANER:	
TYPE	GROUND	TYPE	DRIP PROOF
MATERIAL	CARBON STEEL	MATERIAL	PLEATED PAPER
LOCATION	IN BLOCK	COOLING SYSTEM	
DRIVE	SPUR GEAR	COOLANT HEAT EXCHANGER:	
CONNECTING RODS:		TYPE	TUBE & SHELL
TYPE	I-BEAM, FRACTURE	MATERIAL	
MATERIAL	FORGED STEEL	ELECTRODE	ZINC
CRANKSHAFT:		HEADERS	ALUMINUM
TYPE	GROUND	SHELL	ALUMINUM
MATERIAL	DUCTILE IRON	TUBES	COPPER
MAIN BEARINGS:		COOLANT PUMP:	
TYPE	PRECISION, HALF SHELL	TYPE	CENTRIFUGAL
MATERIAL	TIM ALUMINUM ALLOY	DRIVE	V-BELT
CYLINDER BLOCK:		THERMOSTAT:	
TYPE	GANTRY	TYPE	NON-BLOCKING
MATERIAL	CAST IRON	QUANTITY	1
CYLINDER HEAD:		COOLING LOOP (GALVANIZED):	
TYPE	ONE PIECE	TEES, ELBOWS, PIPE	GALVANIZED STEEL
MATERIAL	CAST IRON	BALL VALVES	BRASS
CYLINDER LINERS:		SOLENOID VALVE	BRASS
TYPE	WET LINED	PRESSURE REGULATOR	BRASS
MATERIAL	CAST IRON ALLOY	STRAINER	BRASS
PISTONS:		COOLING LOOP (316 STAINLESS STEEL):	
TYPE	TRUNK	TEES, ELBOWS, PIPE	316 STAINLESS STEEL
MATERIAL	ALUMINUM ALLOY	BALL VALVES	316 STAINLESS STEEL
PISTON PINS:		SOLENOID VALVE	316 STAINLESS STEEL
TYPE	FULL FLOATING	PRESSURE REGULATOR	316 STAINLESS STEEL
MATERIAL	ALLOY STEEL	STRAINER	316 STAINLESS STEEL
PISTON RINGS:		FUEL SYSTEM	
FIRST	DUCTILE CAST IRON	FUEL INJECTION PUMP:	
SECOND	ALLOY CAST IRON	TYPE	FULL MECHANICAL, CENTRIFUGAL
THIRD	ALLOY CAST IRON	DRIVE	GEAR DRIVEN
VALVES:		LUBRICATION SYSTEM	
TYPE	POPPET	TYPE	GEROTOR
ARRANGEMENT	OVERHEAD	DRIVE	GEAR
VALVE # PER CYLINDER	2 INTAKE, 2 EXHAUST		
OPERATING MECHANISM	MECHANICAL ROCKER ARM		
LIFTER TYPE	LARGE HEAD		

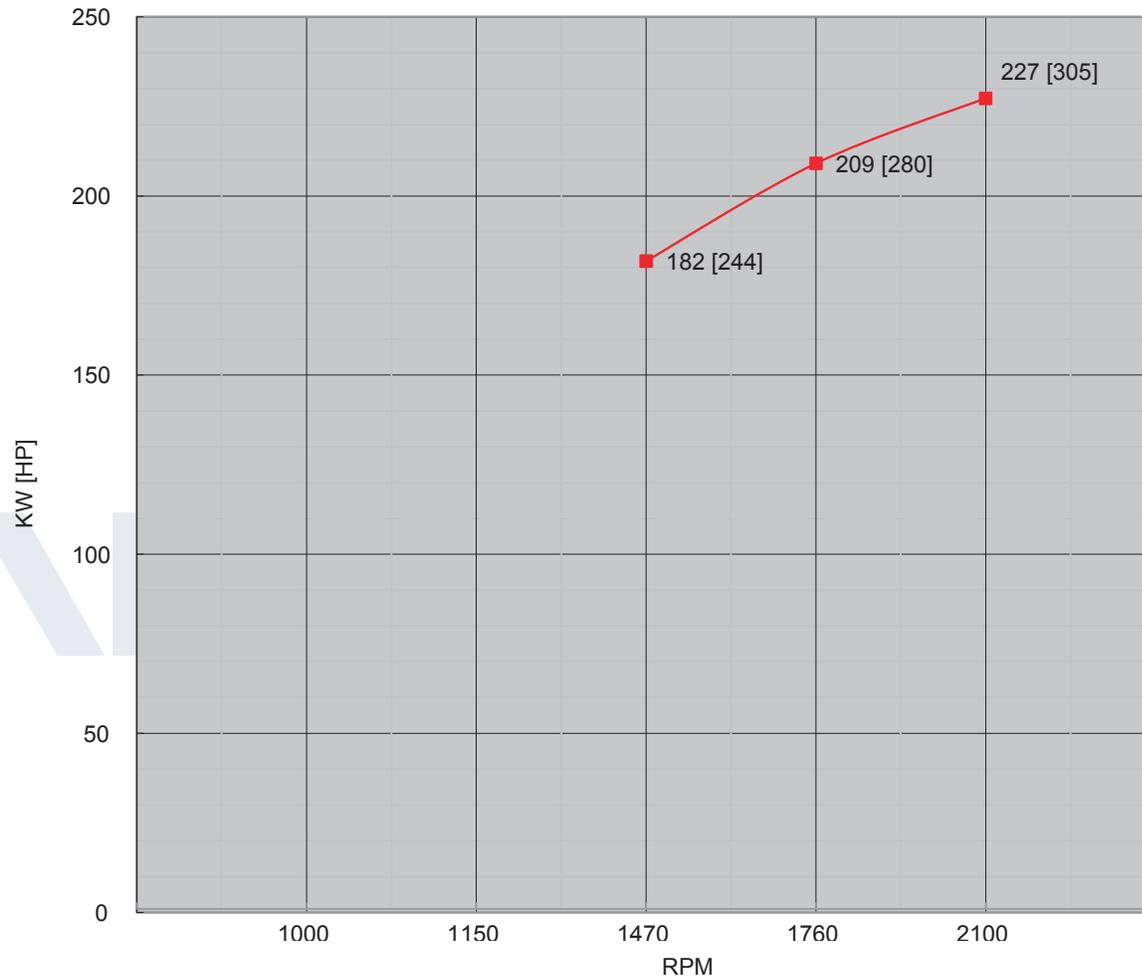
SPARE PARTS LIST

PART DESCRIPTION	PART NUMBER	REMARKS
AFTERCOOLER	AF120041-IC	KL9.5
HEAT EXCHANGER	AFC300ZJ-HE	MAX. WORKING PRESSURE 72.5 PSI [5 BAR]
ALTERNATOR	D11-102-23+A	28 V / 55 A
STARTING SYSTEM	S00022618+01	24 V / 7.5 KW
TURBOCHARGER	S00008689+02	N/A
FUEL PUMP WITH SPEED CONTROLLER	S00003034+01	N/A
FUEL INJECTORS	S00031759	0.25 MM
CONTROLLER	AF.ENG.AB-ETS-R-B	N/A
BATTERY	908DFT	12 V / 200 AH
EMERGENCY STARTERS	535-0098	24 VDC 800 A
OIL PRESSURE SENSOR	KE21103	11.6 ± 4.35 PSI [80 ± 30 KPA]
HIGH TEMPERATURE COOLANT SENSOR	KE00121	203 ± 37 °F [95 ± 3°C]
LOW COOLANT TEMPERATURE SENSOR	KE00121	104 ± 37 °F [40 ± 3°C]
HIGH TEMPERATURE RAW WATER SENSOR	204.040.15GO.1.IP65	104 ± 37 °F [40 ± 3°C]
FLOW SENSOR	WK150B	N/A
OVERSPEED SHUTDOWN DEVICE	YC-ENL-A0	N/A
SPEED SENSOR	KE10040	N/A
ENGINE HEATER	FH220300065	220 V / 3 KW MAX. TEMP 149°F [65°C]
	SH110200065	220 V / 2 KW MAX. TEMP 149°F [65°C] WITH PUMP
	SH110200065	110 V / 2 KW MAX. TEMP 149°F [65°C] WITHOUT PUMP
OIL FILTERS	D17-002-02+B	1 PIECE
FUEL FILTERS	S00009060	1 PIECE
AIR FILTERS	ECC125004	1 PIECE
BELTS	D16A-106-36	1 PIECE
THERMOSTATS	D22-102-900	1 PIECE
EXHAUST BLANKET	AF6114B0601-EI	DN80
FUEL SUPPLY & RETURN LINES	AF6-105B-09.03 AF6-105B-09.04	N/A

POWER CURVE

CURVE NUMBER:	C06114BF	DATE:	09/01/2020
DISPLACEMENT - IN ³ [L]:	538 [8.82]	ASPIRATION:	TURBOCHARGED + WATER COOLED
POWER STANDARD:	FM	BORE & STROKE - IN [MM]:	4.49 x 5.67 [114 x 144]
NUMBER OF CYLINDERS:	6	FUEL SYSTEM:	INLINE, MECHANICAL

● ALL DATA CERTIFIED WITHIN ±5%.

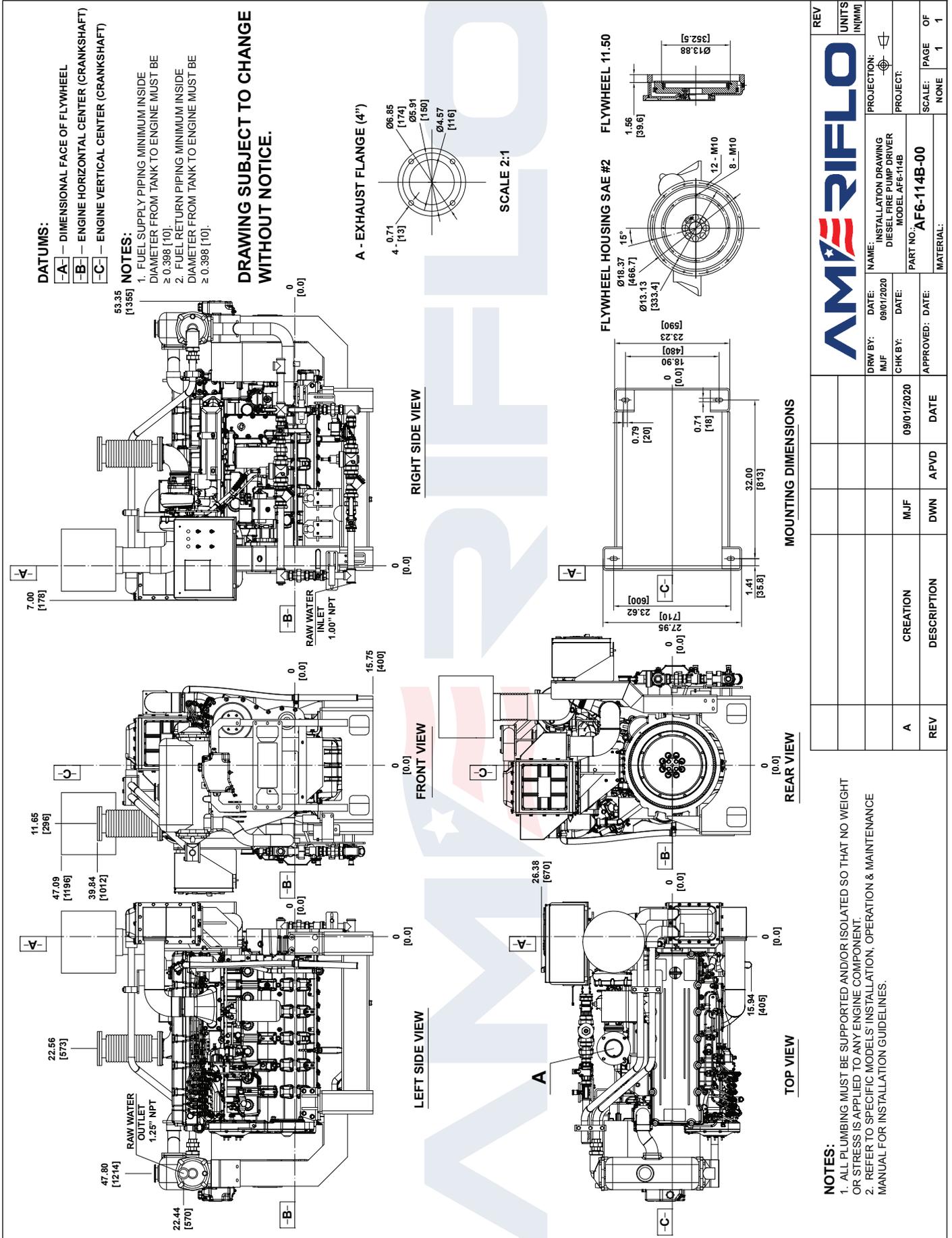


TORQUE		
SPEED	LB-FT	N-M
RPM		
1150		
1470	871	1181
1760	837	1135
2100	762	1034

OUTPUT POWER		
SPEED	HP	KW
RPM		
1150		
1470	244	182
1760	280	209
2100	305	227

FUEL CONSUMPTION		
SPEED	LB/BHP-HR	G/KW-HR
RPM		
1150		
1470	0.362	220
1760	0.378	230
2100	0.395	240

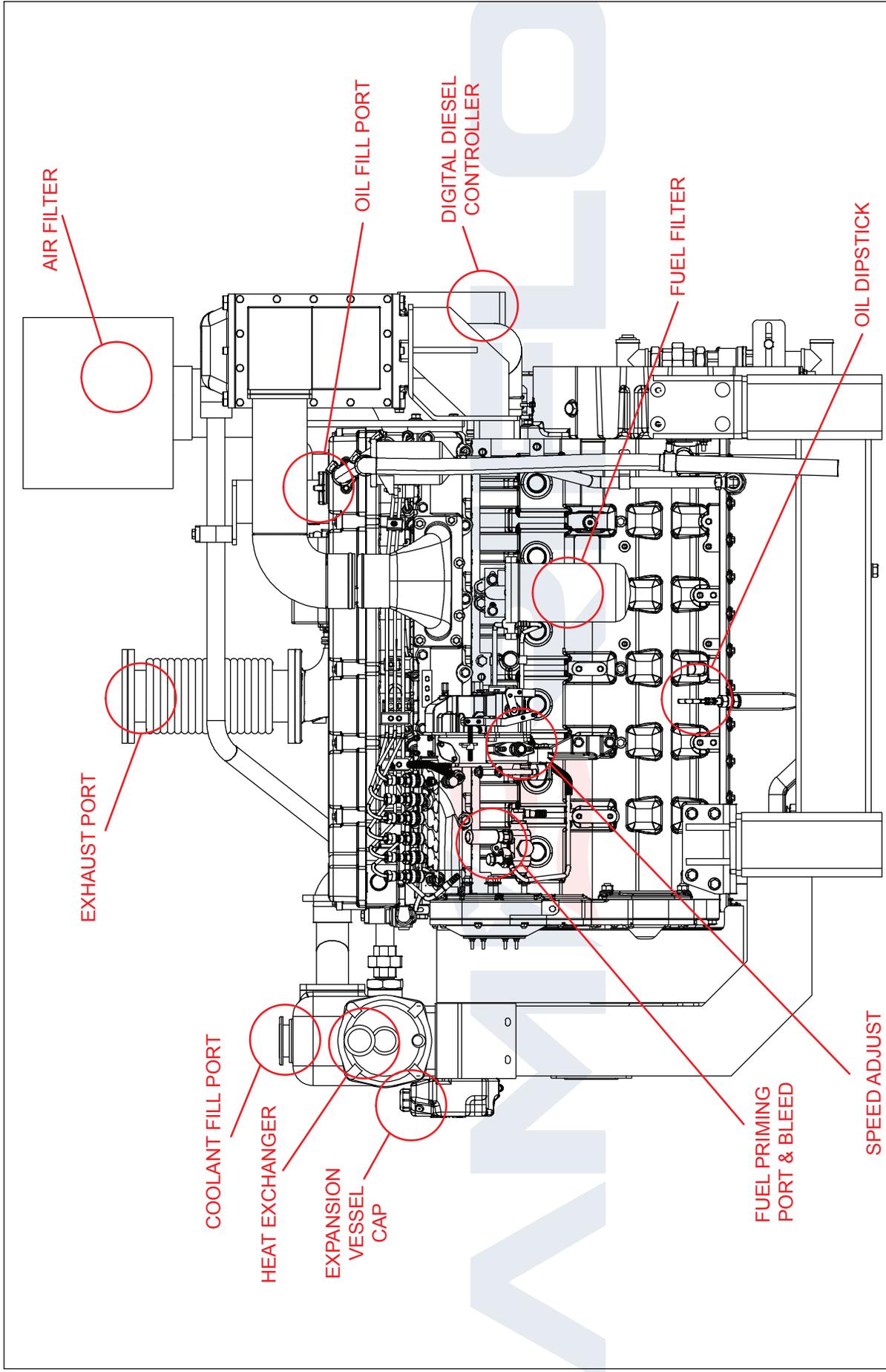
● ALL DATA IS BASED ON ENGINE OPERATING WITH FUEL SYSTEM, LUBRICATING OIL PUMP, AIR CLEANER AND ALTERNATOR. DOES NOT INCLUDE AIR COMPRESSOR, FAN & OPTIONAL EQUIPMENT. DATA IS BASED ON SAE STANDARD J1394 CONDITIONS AT 300 FEET [91.4 METERS] ALTITUDE, 29.61 INCHES [752 MILLIMETERS] HG DRY BAROMETER AND 77°F [25°C] INTAKE AIR TEMPERATURE USING #0 DIESEL FUEL FOLLOWING THE GB 252-2011 STANDARD.



REV	UNITS	IN	MM
A	CREATION	MJF	09/01/2020
REV	DESCRIPTION	DWN	APVD DATE

DATE:	09/01/2020	NAME:	INSTALLATION DRAWING
DRW BY:	MJF	PROJECT:	DIESEL FIRE PUMP DRIVER
CHK BY:		MODEL:	AF6-114B
APPROVED:		PART NO.:	AF6-114B-00
DATE:		MATERIAL:	

SCALE:	NONE	PAGE:	1
OF	1		



NOTES:

1. ALL PLUMBING MUST BE SUPPORTED AND/OR ISOLATED SO THAT NO WEIGHT OR STRESS IS APPLIED TO ANY ENGINE COMPONENT.
2. REFER TO SPECIFIC MODELS' INSTALLATION, OPERATION & MAINTENANCE MANUAL FOR INSTALLATION GUIDELINES.

REV	UNITS IN/[MM]	PROJECT:	DATE:	DATE:	DATE:	DATE:	DATE:
		NAME: INSTALLATION DRAWING DIESEL FIRE PUMP DRIVER MODEL AF6-114B	09/01/2020				
		PROJECTION:	CHK BY: MJF	DATE: 09/01/2020	APVD		
		PART NO: AF6-114B-LEFT	DESCRIPTION	DWN			
		MATERIAL:	REV				
		SCALE: NONE					
		PAGE 1					
		OF 1					

