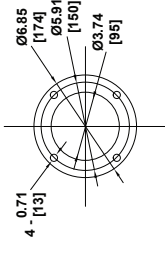


DATUMS:
-A- — DIMENSIONAL FACE OF FLYWHEEL
-B- — ENGINE HORIZONTAL CENTER (CRANKSHAFT)
-C- — ENGINE VERTICAL CENTER (CRANKSHAFT)

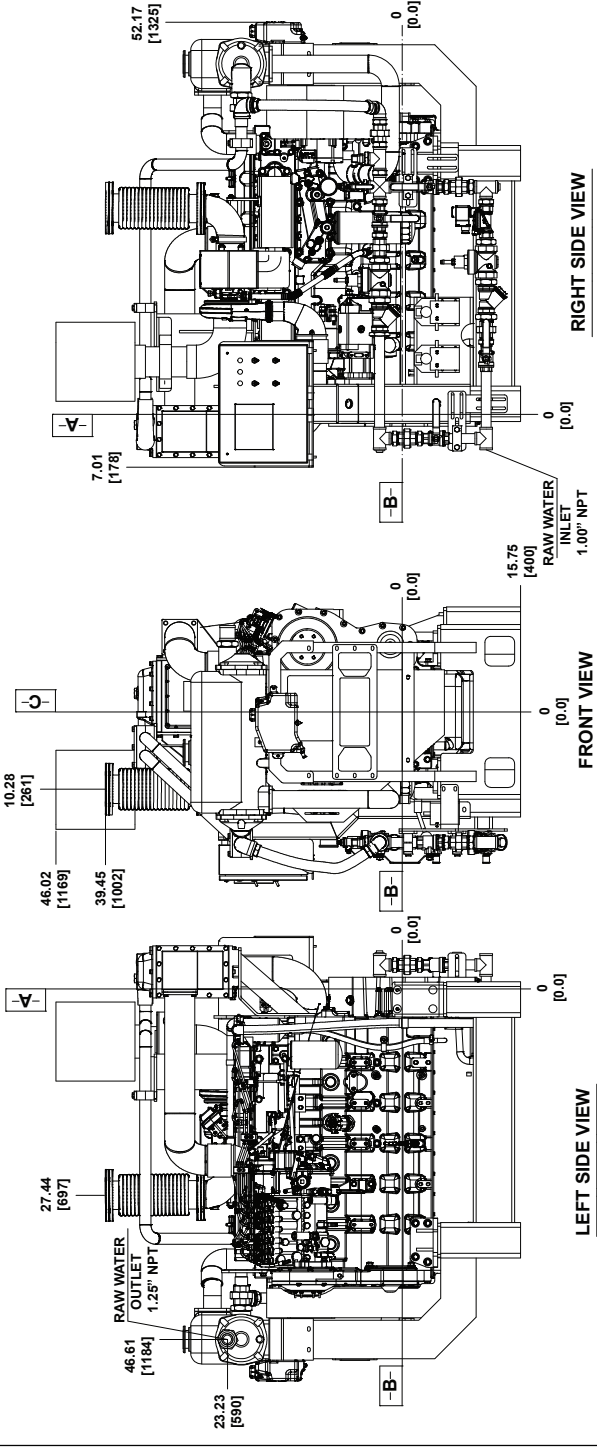
NOTES:
 1. FUEL SUPPLY PIPING MINIMUM INSIDE DIAMETER FROM TANK TO ENGINE MUST BE ≥ 0.398 [10].
 2. FUEL RETURN PIPING MINIMUM INSIDE DIAMETER FROM TANK TO ENGINE MUST BE ≥ 0.398 [10].

DRAWING SUBJECT TO CHANGE WITHOUT NOTICE.

A - EXHAUST FLANGE (4")



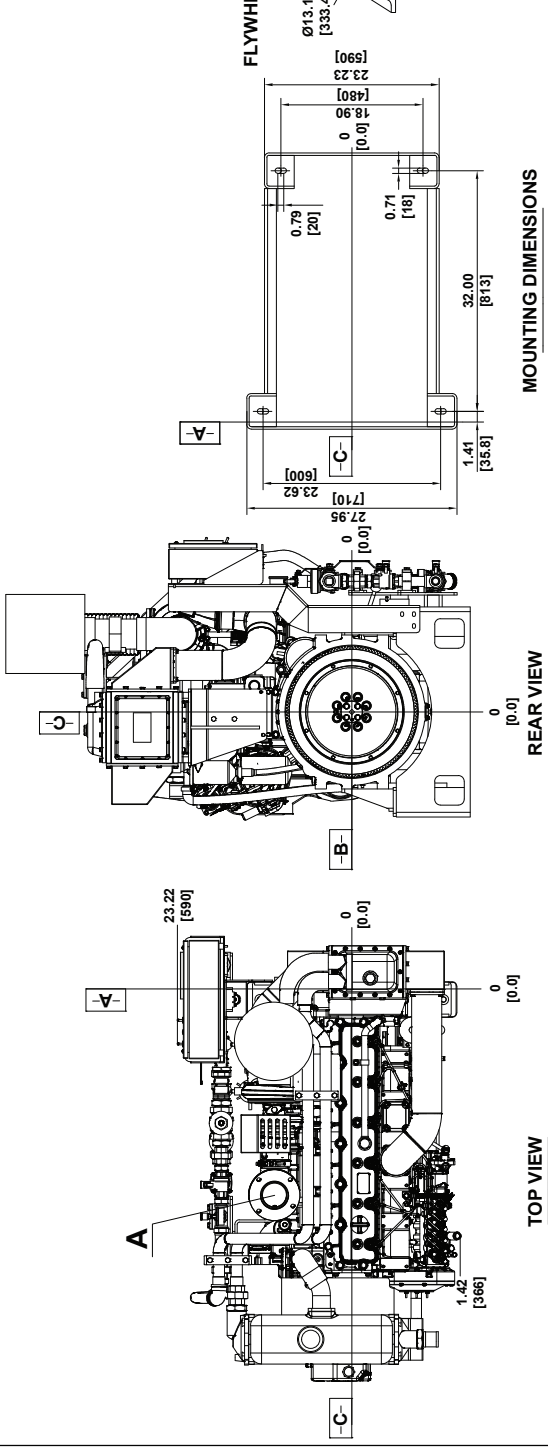
SCALE 2:1



LEFT SIDE VIEW

FRONT VIEW

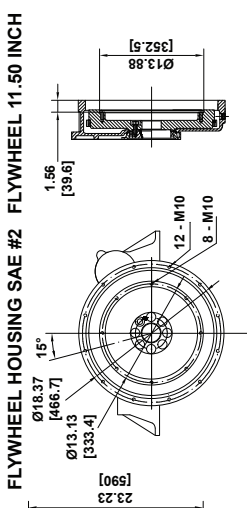
RIGHT SIDE VIEW



TOP VIEW

REAR VIEW

MOUNTING DIMENSIONS



FLYWHEEL HOUSING SAE #2 FLYWHEEL 11.50 INCH

NOTES:
 1. ALL PLUMBING MUST BE SUPPORTED AND/OR ISOLATED SO THAT NO WEIGHT OR STRESS IS APPLIED TO ANY ENGINE COMPONENT.
 2. REFER TO SPECIFIC MODELS' INSTALLATION, OPERATION & MAINTENANCE MANUAL FOR INSTALLATION GUIDELINES.

REV	UNITS	SCALE	PAGE	OF
A	[MM]	NONE	1	1

DRW BY:	DATE:	NAME:	PROJECT:
MJF	09/01/2020	INSTALLATION DRAWING DIESEL FIRE PUMP DRIVER MODEL AFS-114C	
CHK BY:	DATE:	PART NO.:	PROJECT:
		AF6-114C-00	
APPROVED:	DATE:	MATERIAL:	