

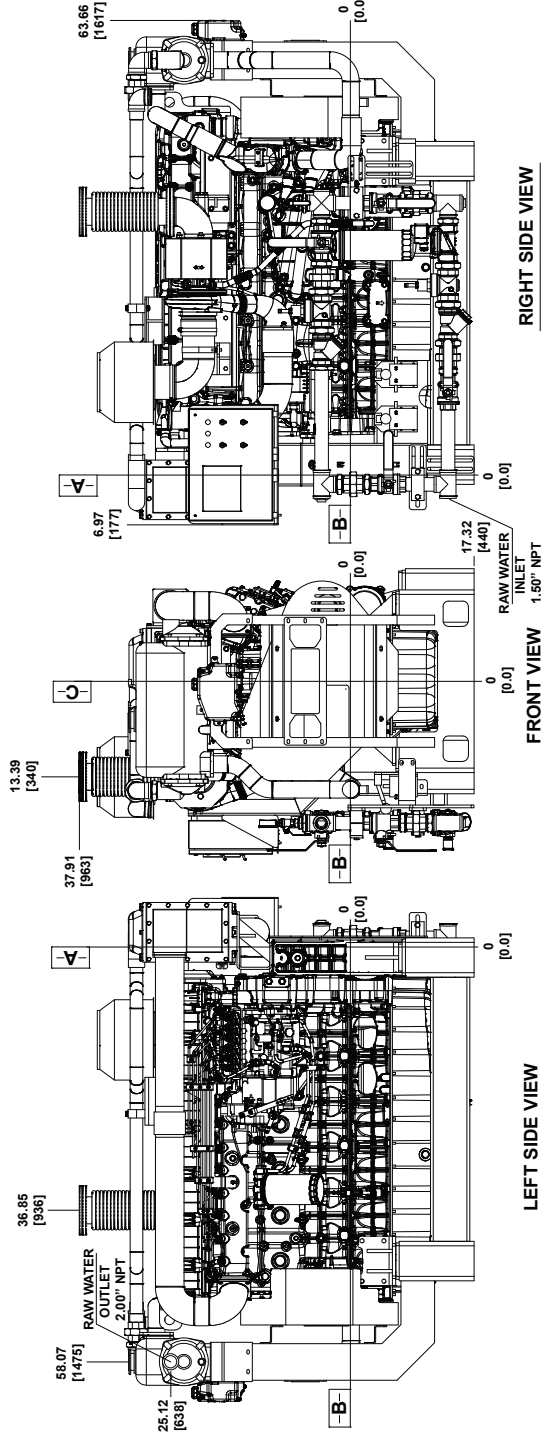
DATUMS:

- A- DIMENSIONAL FACE OF FLYWHEEL
- B- ENGINE HORIZONTAL CENTER (CRANKSHAFT)
- C- ENGINE VERTICAL CENTER (CRANKSHAFT)

NOTES:

1. FUEL SUPPLY PIPING MINIMUM INSIDE DIAMETER FROM TANK TO ENGINE MUST BE ≥ 0.500 [12].
2. FUEL RETURN PIPING MINIMUM INSIDE DIAMETER FROM TANK TO ENGINE MUST BE ≥ 0.500 [12].

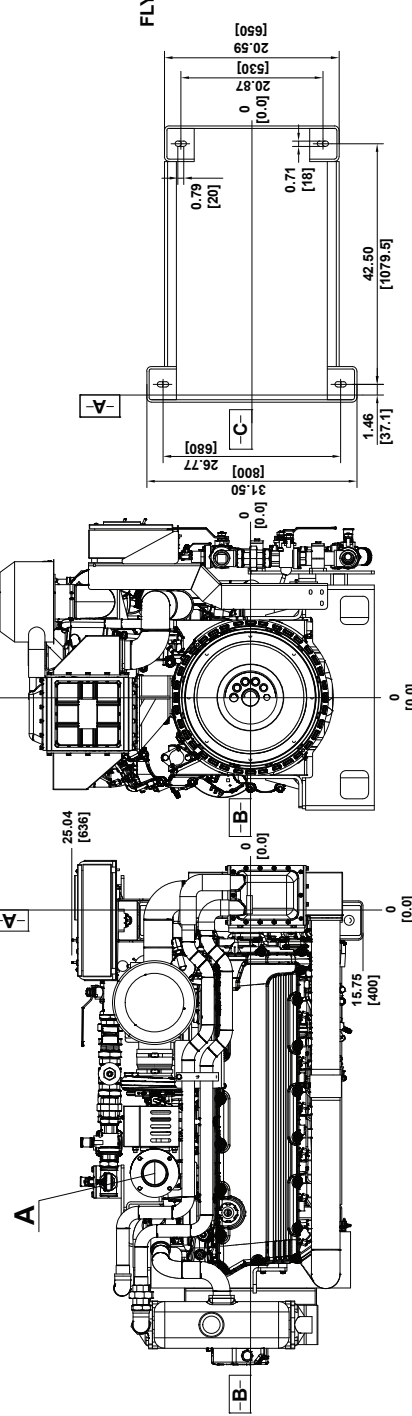
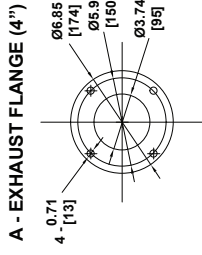
DRAWING SUBJECT TO CHANGE WITHOUT NOTICE.



LEFT SIDE VIEW

FRONT VIEW

RIGHT SIDE VIEW



TOP VIEW

REAR VIEW

FLYWHEEL HOUSING SAE #1

FLYWHEEL 14.00

SCALE 2:1

MOUNTING DIMENSIONS

NOTES:		DESCRIPTION		APVD		DATE		REV
1. ALL PLUMBING MUST BE SUPPORTED AND/OR ISOLATED SO THAT NO WEIGHT OR STRESS IS APPLIED TO ANY ENGINE COMPONENT.		A	CREATION	MJF	DWN	09/01/2020		
2. REFER TO SPECIFIC MODELS' INSTALLATION, OPERATION & MAINTENANCE MANUAL FOR INSTALLATION GUIDELINES.		REV						

DRW BY:	DATE:	NAME:	INSTALLATION DRAWING	PROJECT:
MJF	09/01/2020		DIESEL FIRE PUMP DRIVER	
CHK BY: <th>DATE:</th> <th>PART NO.:</th> <th>MODEL:</th> <th>PROJECT:</th>	DATE:	PART NO.:	MODEL:	PROJECT:
		AF6-128B-00	AF6-128B	
APPROVED: <th>DATE:</th> <th>MATERIAL:</th> <td></td> <td></td>	DATE:	MATERIAL:		

SCALE:	PAGE:	OF:
NONE	1	1

REV	UNITS
	[IN/MM]

