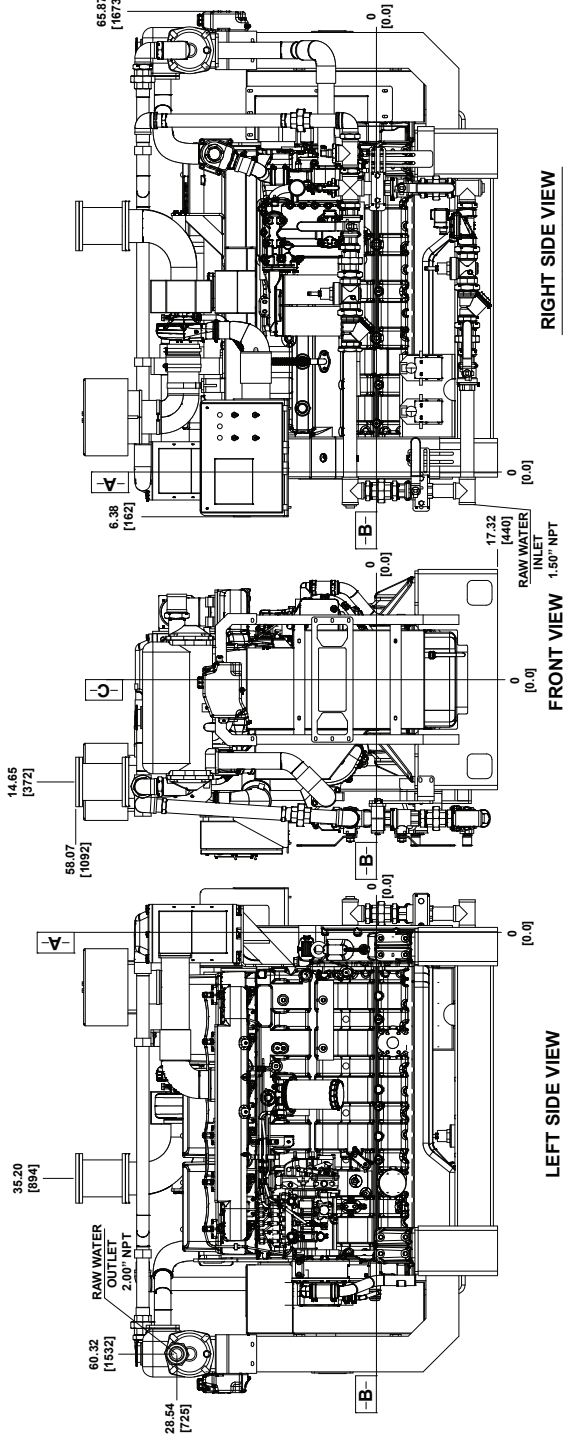


DATUMS:
-A- — DIMENSIONAL FACE OF FLYWHEEL
-B- — ENGINE HORIZONTAL CENTER (CRANKSHAFT)
-C- — ENGINE VERTICAL CENTER (CRANKSHAFT)

NOTES:

- FUEL SUPPLY PIPING MINIMUM INSIDE DIAMETER FROM TANK TO ENGINE MUST BE ≥ 0.500 [12].
- FUEL RETURN PIPING MINIMUM INSIDE DIAMETER FROM TANK TO ENGINE MUST BE ≥ 0.500 [12].

DRAWING SUBJECT TO CHANGE WITHOUT NOTICE.

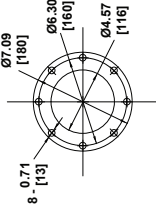


LEFT SIDE VIEW

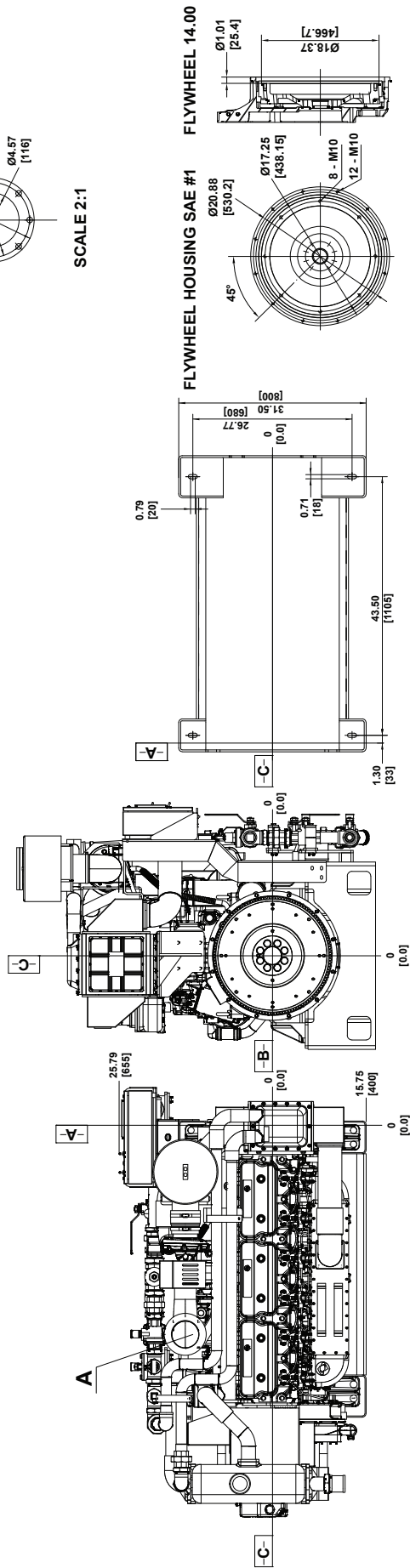
FRONT VIEW

RIGHT SIDE VIEW

A - EXHAUST FLANGE (4")



SCALE 2:1



FLYWHEEL HOUSING SAE #1

FLYWHEEL 14.00

TOP VIEW

REAR VIEW

MOUNTING DIMENSIONS

NOTES:

- ALL PLUMBING MUST BE SUPPORTED AND/OR ISOLATED SO THAT NO WEIGHT OR STRESS IS APPLIED TO ANY ENGINE COMPONENT.
- REFER TO SPECIFIC MODELS' INSTALLATION, OPERATION & MAINTENANCE MANUAL FOR INSTALLATION GUIDELINES.

REV	UNITS	SCALE	PAGE	OF
	[IN/MM]	NONE	1	1
		PROJECT:		
DRW BY: MJF DATE: 09/01/2020	NAME: INSTALLATION DRAWING MODEL: DIESEL FIRE PUMP DRIVER MODEL AFB-135	PROJECT:		
CHK BY: MJF DATE: 09/01/2020	PART NO.: AF6-135-00	SCALE: NONE		
APPROVED:	DATE:	MATERIAL:		