

UL - cUL LISTED RATINGS BHP & KW

<b>ENGINE MODEL:</b>	AF8-128
<b>EMISSIONS:</b>	TIER 0
<b>DATE:</b>	09/01/2020
<b>DRAWING NUMBER:</b>	AF8-128.00
<b>PERFORMANCE CURVE NUMBER:</b>	C08128
<b>RATED POWER:</b>	496 BHP @ 2100 RPM 370 KW @ 2100 RPM
<b>REFERENCE NUMBER:</b>	14DS001E
<b>VERSION:</b>	A



**GENERAL ENGINE DATA**

TYPE:	4 CYCLE; V-TYPE; WATER COOLED	
NUMBER OF CYLINDERS:	8	
ASPIRATION:	TURBOCHARGED + WATER COOLED	
BORE & STROKE - IN [MM]:	5.04 x 5.59 [128 x 142]	
CYLINDER LINER TYPE:	<input checked="" type="checkbox"/> WET <input type="checkbox"/> DRY	
DISPLACEMENT - IN <sup>3</sup> [L]:	892 [14.62]	
COMPRESSION RATIO:	14.6:01	
FIRING ORDER:	1 - 5 - 7 - 2 - 6 - 3 - 4 - 8	
COMBUSTION SYSTEM:	DIRECT INJECTION	
ROTATION (AS VIEWED FROM FRONT OF ENGINE):	CCW	
VALVES PER CYLINDER:	INTAKE: 1   EXHAUST: 1	
VALVE LASH (COLD ENGINE):	INTAKE - IN [MM]:	0.010 [0.25]
	EXHAUST - IN [MM]:	0.014 [0.35]
IGNITION TYPE:	COMPRESSION (DIESEL)	
CHARGE AIR COOLING TYPE:	RAW WATER	
WEIGHT (FUEL PUMP CONFIGURATION) - LBS [KG]:	3201 [1452]	
DIMENSIONS (L x W x H) - IN [MM]:	67 x 55 x 68 [1695 x 1401 x 1735]	
FLYWHEEL / FLYWHEEL HOUSING DIMENSIONS:	14.00 / SAE #1	
TORQUE @ RATED RPM - LB-FT [N-M]:	1241 [1683]	

**ENGINE PERFORMANCE DATA**

ESTIMATED FREE FIELD SOUND PRESSURE LEVEL AT 3 FEET [1 METER] WITH FULL-LOAD GOVERNED SPEED (INCLUDES NOISE FROM EXHAUST, COOLING SYSTEM AND DRIVEN COMPONENTS)	dBa	≤ 105
ALL DATA IS BASED ON ENGINE OPERATING WITH FUEL SYSTEM, LUBRICATING OIL PUMP, AIR CLEANER AND ALTERNATOR. DOES NOT INCLUDE AIR COMPRESSOR, FAN & OPTIONAL EQUIPMENT. DATA IS BASED ON SAE STANDARD J1349 CONDITIONS AT 300 FEET [91.4 METERS] ALTITUDE, 29.61 INCHES [752 MILLIMETERS] HG DRY BAROMETER AND 77°F [25°C] INTAKE AIR TEMPERATURE USING #0 DIESEL FUEL FOLLOWING THE GB 252-2011 STANDARD.		
ALTITUDE ABOVE WHICH OUTPUT SHOULD BE DERATED:	FEET [METER]	300 [91]
DERATE PER 1,000 FEET [305 METERS] ABOVE ALTITUDE LIMIT:	3%	
TEMPERATURE ABOVE WHICH OUTPUT SHOULD BE DERATED:	°F [°C]	77 [25]
DERATE PER 10°F [5.6°C] ABOVE TEMPERATURE LIMIT:	1%	

● ALL DATA CERTIFIED WITHIN ±5%.

**EXHAUST SYSTEM**

EXHAUST GAS TEMPERATURE @ MAXIMUM RATING (POWER) - °F [°C]:	≤ 1062 [572]
EXHAUST GAS FLOW @ MAXIMUM OUTPUT - CFM [M³/HR]:	3309 [5622]
MAXIMUM ALLOWABLE BACK PRESSURE - PSI [KPA]:	1.45 [10]
MINIMUM EXHAUST PIPE DIAMETER - IN [MM]:	4 [100]

**AIR INTAKE SYSTEM**

AIR CLEANER TYPE:	DRY TYPE, DISPOSABLE
AIR FLOW - CFM [M³/HR]:	1858 [3156]
AIR INLET RESTRICTION (DIRTY) - PSI [KPA]:	≤ 0.87 [6]
AIR INLET RESTRICTION (CLEAN) - PSI [KPA]:	≤ 0.29 [2]

**LUBRICATION SYSTEM**

OIL CAPACITY (ENGINE ONLY) - QTS [L]:	29.6 [28]
MAXIMUM SUMP OIL TEMPERATURE - °F [°C]:	248 [120]
NORMAL OPERATING OIL PRESSURE RANGE - PSI [BAR]:	43.5 ~ 58.0 [3.0 ~ 4.0]
OIL PRESSURE @ IDLE - PSI [BAR]:	> 14.5 [1.0]

**COOLING SYSTEM**

COOLANT CAPACITY (ENGINE & HEAT EXCHANGER) - QTS [L]:	48.6 [46]	
THERMOSTAT RANGE:	START OPEN - °F [°C]:	160 [71]
	FULL OPEN - °F [°C]:	185 [85]
COOLANT PRESSURE MAXIMUM - PSI [BAR]:	13 [0.9]	
MAXIMUM ENGINE COOLANT TEMPERATURE - °F [°C]:	≤ 208 [98]	
ENGINE COOLANT FLOW @ FULL SPEED - GPM [M³/HR]:	176 [40]	
RAW WATER COOLING CAPACITY - GPM [M³/HR]:	114 [26]	
RAW WATER PRESSURE - PSI [BAR]:	29 [2.0]	
MAXIMUM RAW WATER TEMPERATURE - °F [°C]:	100 [37.8]	
RAW WATER INTAKE PIPE SIZE:	RAW WATER INLET - IN:	1.50 NPT
	RAW WATER OUTLET - IN:	2.00 NPT

**HEATER SYSTEM**

WATTAGE - W:	3000
VOLTAGE (AC) - V:	220

**DC ELECTRICAL SYSTEM**

NORMAL SYSTEM VOLTAGE - V:	24
STARTER MOTOR - HP [KW]:	9.4 [7.0]
RECOMMENDED MINIMUM BATTERY SIZE - AH:	100
COLD CRANKING AMPS @ 0°F (-18°C):	1000
RESERVE CAPACITY - AMPS:	407
CHARGING ALTERNATOR OUTPUT - AMPS:	45
STARTER CRANKING AMPS, ROLLING @ 0°F (-18°C):	400
MINIMUM CRANKING SPEED REQUIRED FOR UNAIDED COLD START - RPM:	210

● ALL DATA CERTIFIED WITHIN ±5%.

**FUEL SYSTEM**

INJECTION PUMP:	V-TYPE, PLUNGER TYPE
INJECTION PUMP ADVANCE ANGLE - °:	18
MINIMUM SUPPLY LINE SIZE - IN [MM]:	0.50 [12]
MINIMUM RETURN LINE SIZE - IN [MM]:	0.50 [12]
FUEL MANAGEMENT CONTROL:	MECHANICAL
FUEL CONSUMPTION @ 2100 RPM - LB/BHP-HR [G/KW-HR]:	0.362 [220]
IDLE SPEED - RPM:	750
MAXIMUM GOVERNED SPEED - RPM:	2310
MAXIMUM ALLOWABLE FUEL HEIGHT ABOVE FUEL PUMP - FT [M]:	9.8 [3]
GOVERNED SPEED RATE - %:	≤ 10

① ALL DATA CERTIFIED WITHIN ±5%.



**ENGINE MATERIALS & CONSTRUCTION**

ENGINE		AIR INTAKE	
<b>CAMSHAFT:</b>		<b>AIR CLEANER:</b>	
TYPE	OVERHEAD	TYPE	DRIP PROOF
MATERIAL	CARBON STEEL	MATERIAL	PLEATED PAPER
LOCATION	IN BLOCK	<b>COOLING SYSTEM</b>	
DRIVE	SPUR GEAR	<b>COOLANT HEAT EXCHANGER:</b>	
<b>CONNECTING RODS:</b>		TYPE	TUBE & SHELL
TYPE	I-BEAM, FRACTURE	MATERIAL	
MATERIAL	FORGED STEEL	ELECTRODE	ZINC
<b>CRANKSHAFT:</b>		HEADERS	ALUMINUM
TYPE	GROUND	SHELL	ALUMINUM
MATERIAL	DUCTILE IRON	TUBES	COPPER
<b>MAIN BEARINGS:</b>		<b>COOLANT PUMP:</b>	
TYPE	PRECISION, HALF SHELL	TYPE	CENTRIFUGAL
MATERIAL	TIM ALUMINUM ALLOY	DRIVE	V-BELT
<b>CYLINDER BLOCK:</b>		<b>THERMOSTAT:</b>	
TYPE	GANTRY	TYPE	NON-BLOCKING
MATERIAL	CAST IRON	QUANTITY	1
<b>CYLINDER HEAD:</b>		<b>COOLING LOOP (GALVANIZED):</b>	
TYPE	ONE PIECE	TEES, ELBOWS, PIPE	GALVANIZED STEEL
MATERIAL	CAST IRON	BALL VALVES	BRASS
<b>CYLINDER LINERS:</b>		SOLENOID VALVE	BRASS
TYPE	WET LINED	PRESSURE REGULATOR	BRASS
MATERIAL	CAST IRON ALLOY	STRAINER	BRASS
<b>PISTONS:</b>		<b>COOLING LOOP (316 STAINLESS STEEL):</b>	
TYPE	TRUNK	TEES, ELBOWS, PIPE	316 STAINLESS STEEL
MATERIAL	ALUMINUM ALLOY	BALL VALVES	316 STAINLESS STEEL
<b>PISTON PINS:</b>		SOLENOID VALVE	316 STAINLESS STEEL
TYPE	FULL FLOATING	PRESSURE REGULATOR	316 STAINLESS STEEL
MATERIAL	ALLOY STEEL	STRAINER	316 STAINLESS STEEL
<b>PISTON RINGS:</b>		<b>FUEL SYSTEM</b>	
FIRST	DUCTILE CAST IRON	<b>FUEL INJECTION PUMP:</b>	
SECOND	ALLOY CAST IRON	TYPE	FULL MECHANICAL, CENTRIFUGAL
THIRD	ALLOY CAST IRON	DRIVE	GEAR DRIVEN
<b>VALVES:</b>		<b>LUBRICATION SYSTEM</b>	
TYPE	POPPET	TYPE	GEROTOR
ARRANGEMENT	OVERHEAD	DRIVE	GEAR
VALVE # PER CYLINDER	2 INTAKE, 2 EXHAUST		
OPERATING MECHANISM	MECHANICAL ROCKER ARM		
LIFTER TYPE	LARGE HEAD		

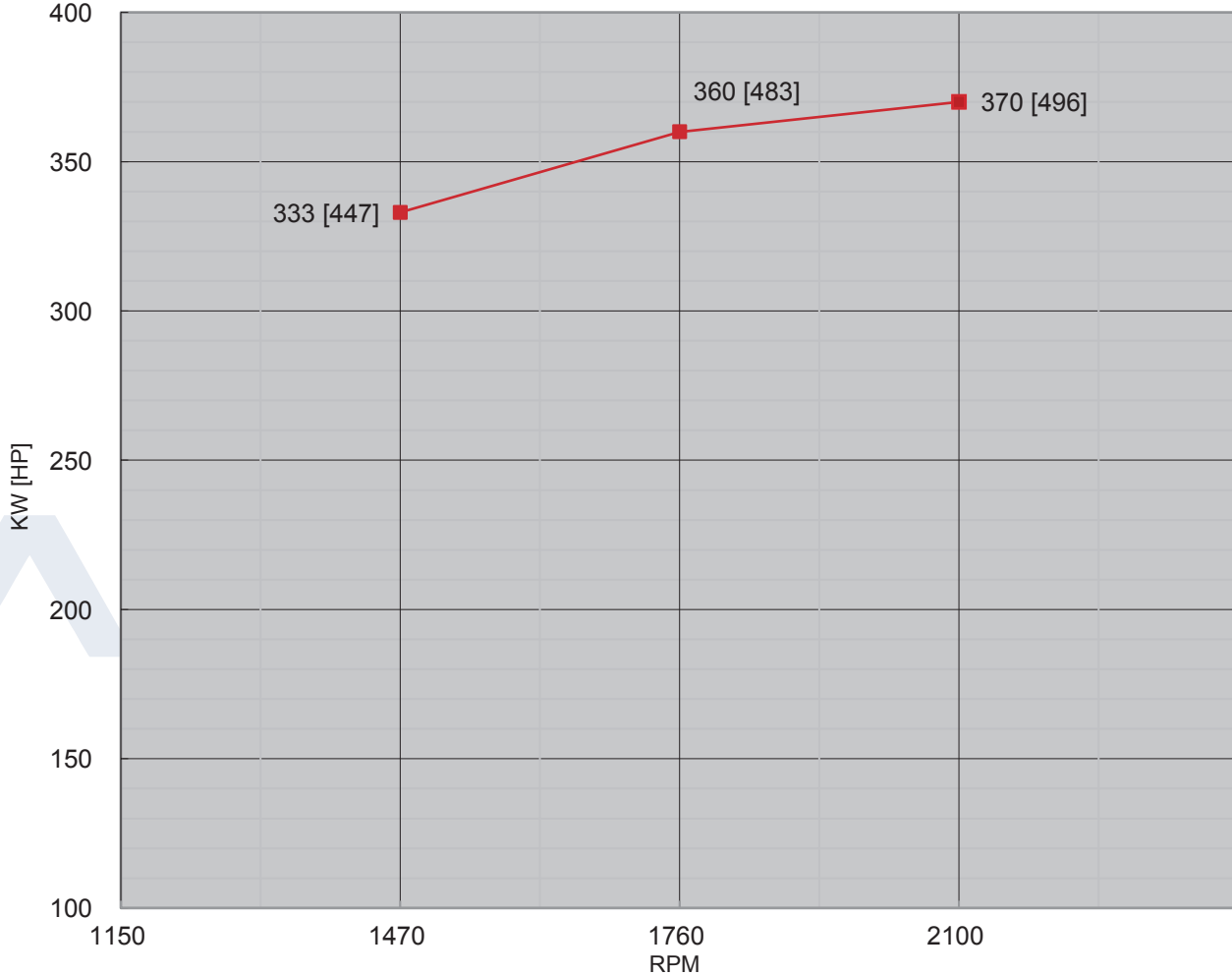
**SPARE PARTS LIST**

PART DESCRIPTION	QUANTITY	PART NUMBER	REMARKS
<b>LUBRICATION SYSTEM</b>			
OIL FILTER	1 PIECE	AF-65-05510-5020B	
OIL PRESSURE SENSOR	1 PIECE	AF-21103-OPS	
<b>FUEL SYSTEM</b>			
FUEL FILTER	1 PIECE	AF-65-12503-5018A	
INJECTION PUMP	1 PIECE	AF-65-11101-7425	
FUEL SUPPLY & RETURN HOSE	1 PIECE	AF8-128-8.1	
	1 PIECE	AF8-128-8.2	
<b>COOLING SYSTEM</b>			
HEAT EXCHANGER	1 PIECE	AF-C700ZZ-HE	
COOLING LOOP	1 SET	AF-CL40SV	
COOLANT HOSE (90° ELBOW)	1 PIECE	AF-E90-65/120P4	
COOLING HOSE	1 PIECE	AF-8-3-700-CH	
	1 PIECE	AF-16-5-1000-CH	
	1 PIECE	AF-16-5-1500-CH	
WATER PUMP	1 PIECE		
RUNNING WATER TEMPERATURE SENSOR	1 PIECE	AF-00102-WTR	
STANDBY WATER TEMPERATURE SENSOR	1 PIECE	AF-00121-WTR	
THERMOSTAT	3 PIECES	AF-300738-00159	
PREHEATER	1 PIECE	AF-FH220300065 OR AF-FH110200065 OR AF-SH110200065	
FLOW SENSOR	1 PIECE	AF	
<b>CONTROL SYSTEM</b>			
STARTER	1 PIECE	AF-300516-00075B	
ALTERNATOR	1 PIECE	AF-300901-00007	
BATTERY	2 PIECES	AF-N200	
STARTER CONTACTOR	2 PIECES	AF	
OVERSPEED SHUTDOWN	1 PIECE	AF	
SPEED SENSOR	1 PIECE	AF	
INSTRUMENT PANEL	1 SET	AF-ENL-AB-ETS/R-B	
<b>TRANSMISSION SYSTEM</b>			
BELT	2 PIECES	AF-65-96801-0134	
STOP SOLENOID	1 PIECE	AF-DF23005-SN	
<b>INTAKE &amp; EXHAUST SYSTEM</b>			
AIR FILTER	1 PIECE	AF-HT-AF-026	
TURBOCHARGER	2 PIECES	AF	

**POWER CURVE**

CURVE NUMBER:	C08128	DATE:	09/01/2020
DISPLACEMENT - IN <sup>3</sup> [L]:	892 [14.62]	ASPIRATION:	TURBOCHARGED + WATER COOLED
POWER STANDARD:	UL	BORE & STROKE - IN [MM]:	5.04 x 5.59 [128 x 142]
NUMBER OF CYLINDERS:	8	FUEL SYSTEM:	V-TYPE, MECHANICAL

● ALL DATA CERTIFIED WITHIN ±5%.

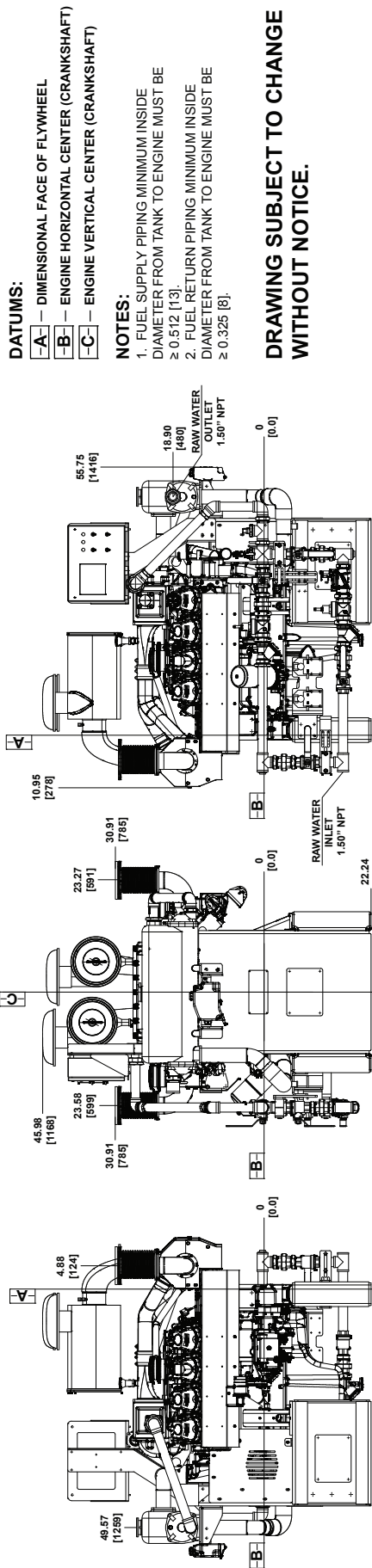


TORQUE		
SPEED	LB-FT	N-M
RPM		
1150		
1470	1594	2162
1760	1441	1953
2100	1241	1682

OUTPUT POWER		
SPEED	HP	KW
RPM		
1150		
1470	447	333
1760	483	360
2100	496	370

FUEL CONSUMPTION		
SPEED	LB/BHP-HR	G/KW-HR
RPM		
1150		
1470	0.321	195
1760	0.329	200
2100	0.362	220

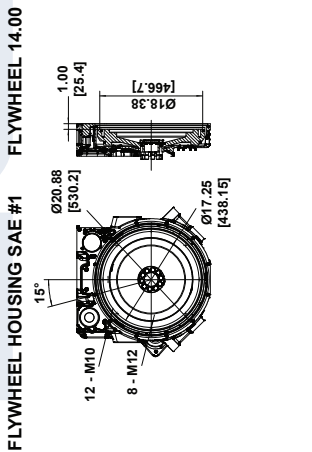
● ALL DATA IS BASED ON ENGINE OPERATING WITH FUEL SYSTEM, LUBRICATING OIL PUMP, AIR CLEANER AND ALTERNATOR. DOES NOT INCLUDE AIR COMPRESSOR, FAN & OPTIONAL EQUIPMENT. DATA IS BASED ON SAE STANDARD J1394 CONDITIONS AT 300 FEET [91.4 METERS] ALTITUDE, 29.61 INCHES [752 MILLIMETERS] HG DRY BAROMETER AND 77°F [25°C] INTAKE AIR TEMPERATURE USING #0 DIESEL FUEL FOLLOWING THE GB 252-2011 STANDARD.



A - EXHAUST FLANGE X2 (4")



SCALE 2:1



RIGHT SIDE VIEW

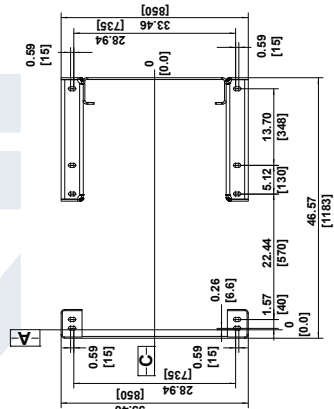
FRONT VIEW

LEFT SIDE VIEW

MOUNTING DIMENSIONS

REAR VIEW

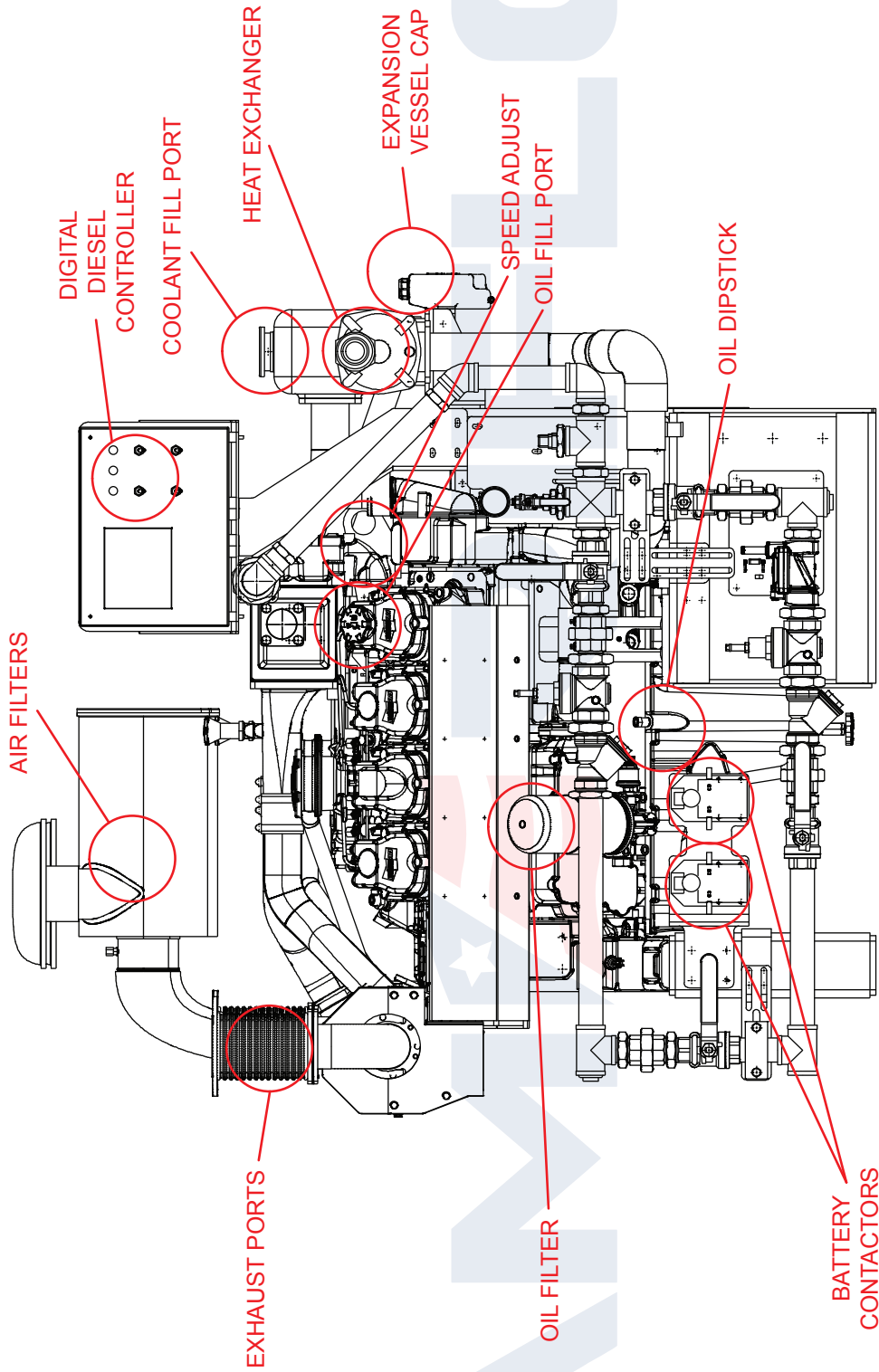
TOP VIEW



**NOTES:**

- ALL PLUMBING MUST BE SUPPORTED AND/OR ISOLATED SO THAT NO WEIGHT OR STRESS IS APPLIED TO ANY ENGINE COMPONENT.
- REFER TO SPECIFIC MODELS' INSTALLATION, OPERATION & MAINTENANCE MANUAL FOR INSTALLATION GUIDELINES.

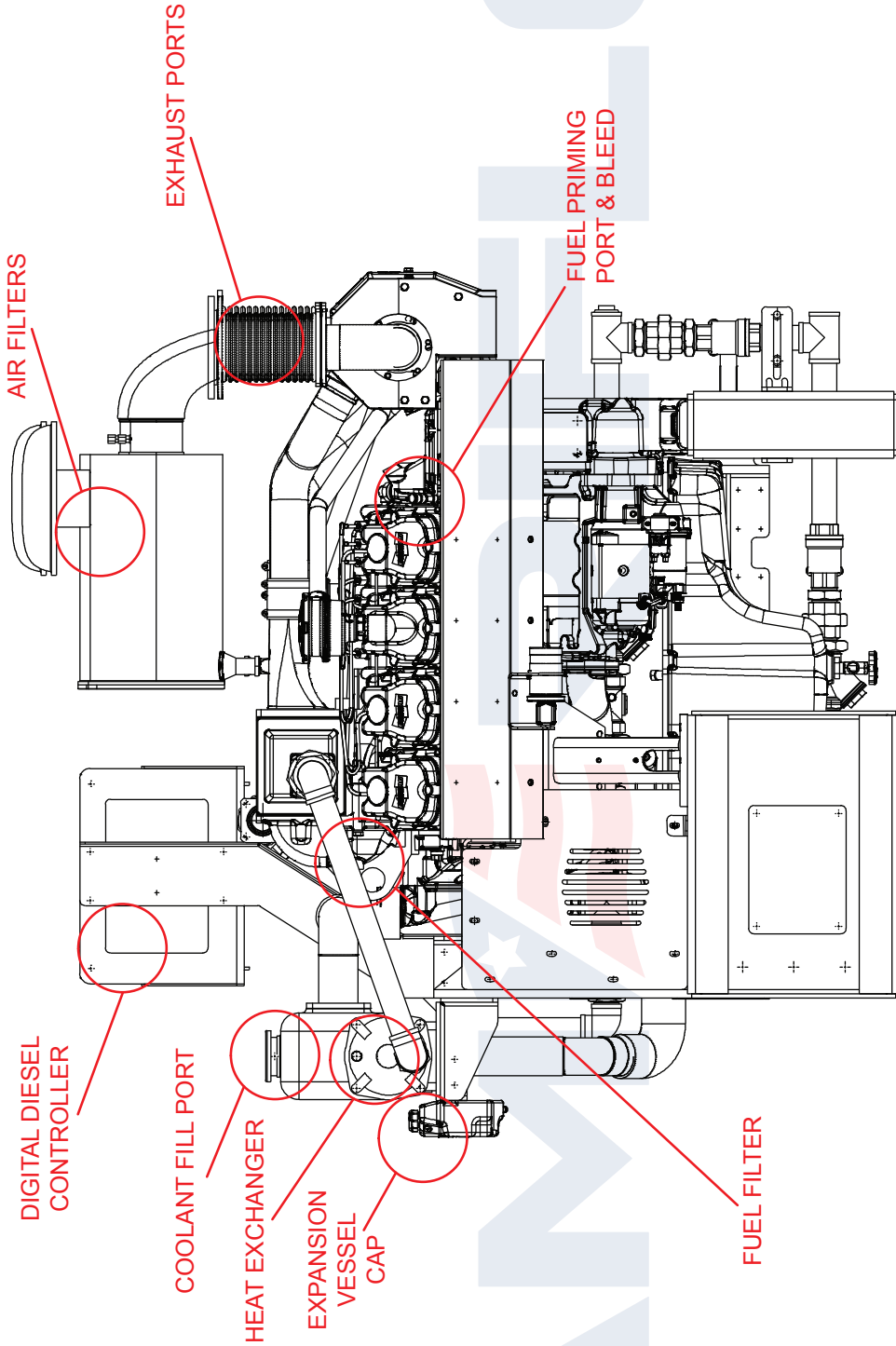
REV									
UNITS	IN/MM								
NAME:	INSTALLATION DRAWING								
PROJECT:	DIESEL FIRE PUMP DRIVER								
MODEL:	AF8-128								
DATE:	09/01/2020	DATE:	09/01/2020	DATE:		DATE:		DATE:	
BY:	MJF	CHK BY:	MJF	DESCRIPTION:	CREATION	DWN	APVD		
PART NO.:	AF8-128-00								
SCALE:	NONE								
PAGE:	1								
OF:	1								
MATERIAL:									



REV								
UNITS IN(MM)								
<b>AMERIFLO</b>								
PROJECTION: FIRST ANGLE		NAME: INSTALLATION DRAWING DIESEL FIRE PUMP DRIVER						
PROJECT:		DATE: 09/01/2020 M MODEL: AF8-128						
SCALE: NONE		PART NO: AF8-128-RIGHT		APPROVED: DATE:				
PAGE 1	OF 1	DATE	APVD	DWN	DESCRIPTION	DATE		
			MJF			09/01/2020		
A	REV	DESCRIPTION						

**NOTES:**  
1. ALL PLUMBING MUST BE SUPPORTED AND/OR ISOLATED SO THAT NO WEIGHT OR STRESS IS APPLIED TO ANY ENGINE COMPONENT.  
2. REFER TO SPECIFIC MODELS' INSTALLATION, OPERATION & MAINTENANCE MANUAL FOR INSTALLATION GUIDELINES.

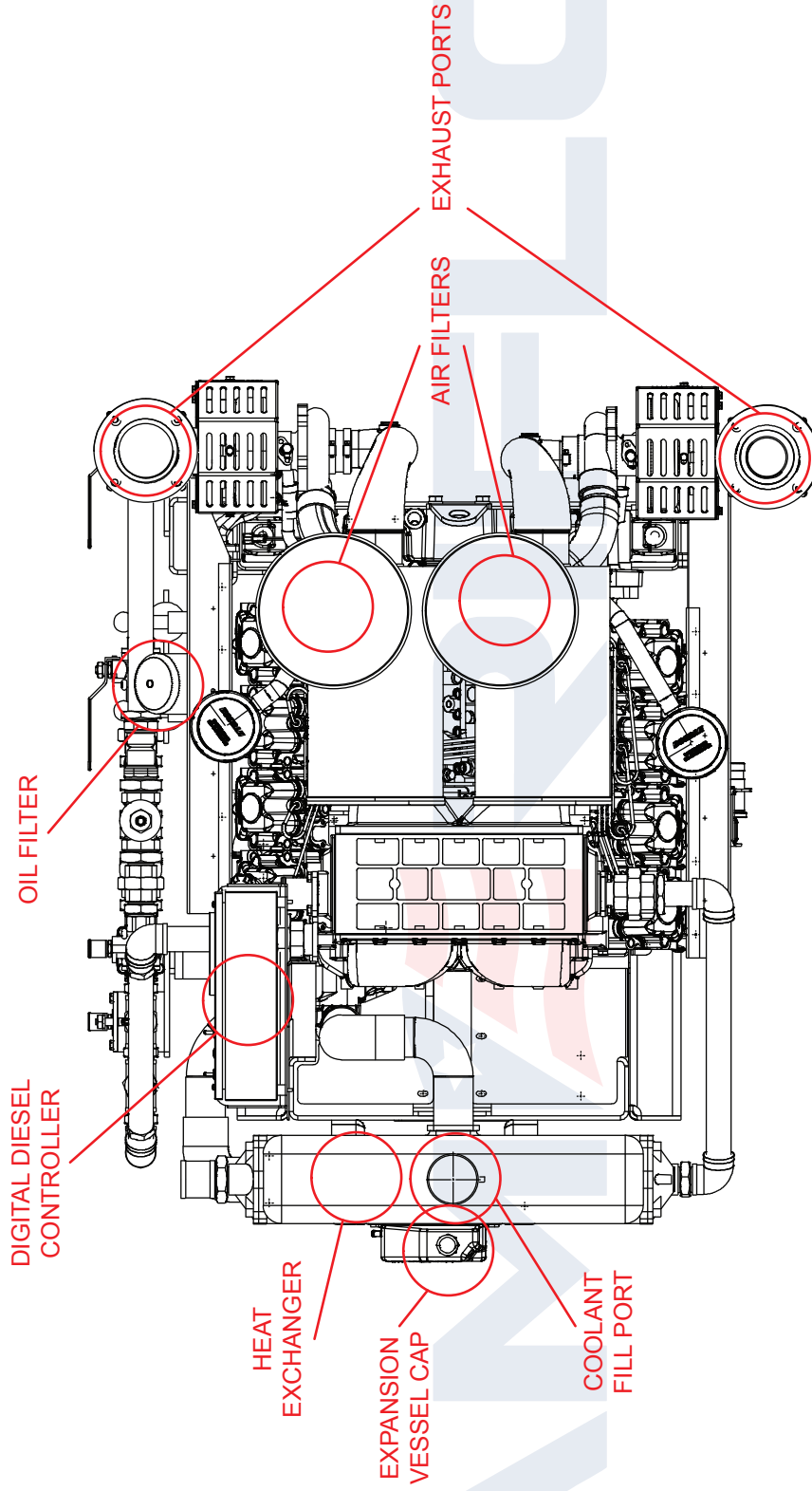




**NOTES:**

1. ALL PLUMBING MUST BE SUPPORTED AND/OR ISOLATED SO THAT NO WEIGHT OR STRESS IS APPLIED TO ANY ENGINE COMPONENT.
2. REFER TO SPECIFIC MODELS' INSTALLATION, OPERATION & MAINTENANCE MANUAL FOR INSTALLATION GUIDELINES.

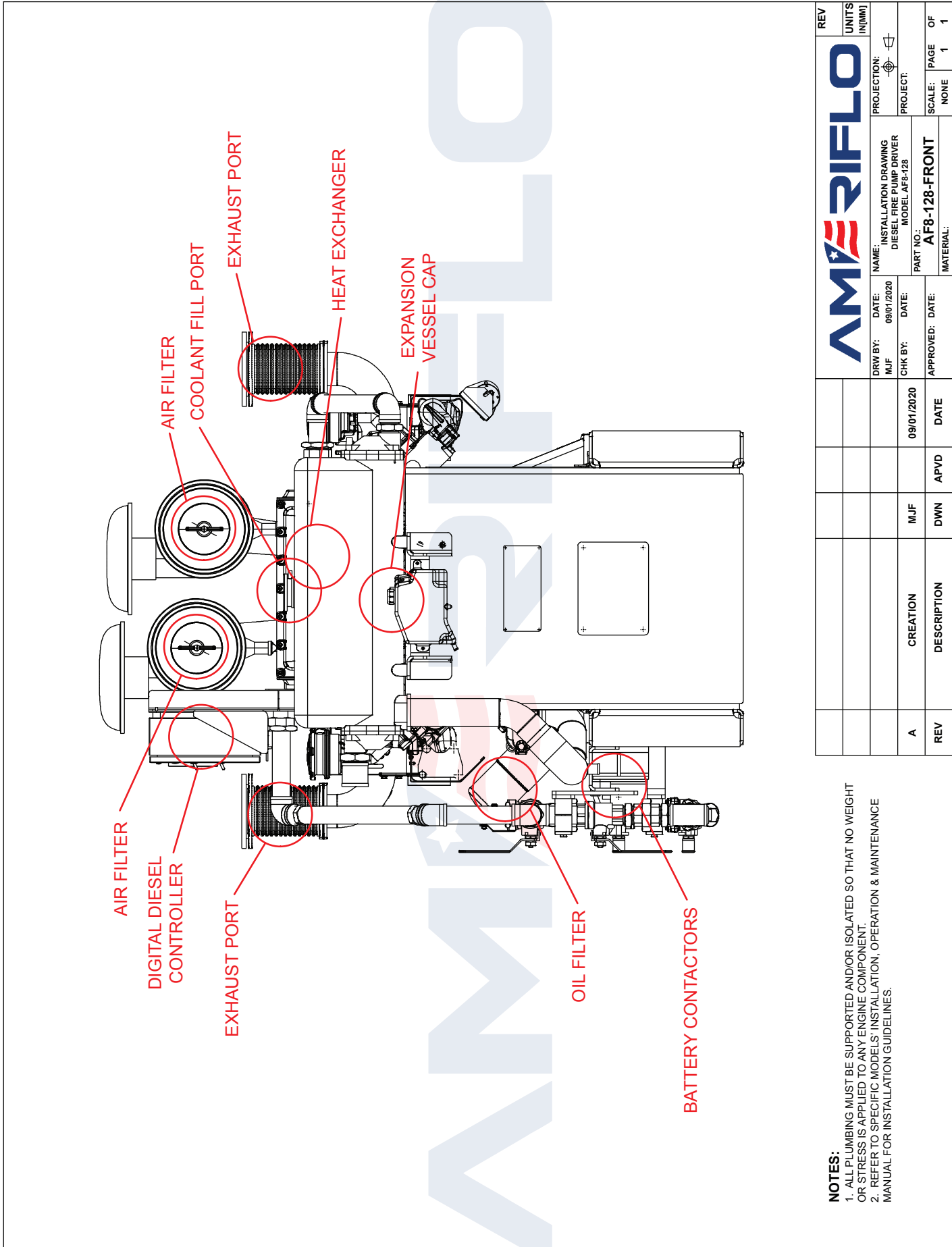
REV	UNITS IN (MM)	SCALE:	PAGE	OF
		NONE	1	1
<b>AMERIFLO</b>				
DRW BY: MJF	DATE: 09/01/2020	NAME: INSTALLATION DRAWING DIESEL FIRE PUMP DRIVER MODEL AF8-128	PROJECTION: 	
CHK BY:	DATE:	PART NO.: <b>AF8-128-LEFT</b>	PROJECT:	
APPROVED: DATE:	09/01/2020	MATERIAL:		
REV	DESCRIPTION	DWN	APVD	DATE
A	CREATION	MJF		09/01/2020



**NOTES:**  
 1. ALL PLUMBING MUST BE SUPPORTED AND/OR ISOLATED SO THAT NO WEIGHT OR STRESS IS APPLIED TO ANY ENGINE COMPONENT.  
 2. REFER TO SPECIFIC MODELS' INSTALLATION, OPERATION & MAINTENANCE MANUAL FOR INSTALLATION GUIDELINES.

A		CREATION	MJF		09/01/2020							
REV		DESCRIPTION	DWN	APVD	DATE							

<b>AMERIFLO</b>	<b>AF8-128-TOP</b>
NAME: INSTALLATION DRAWING DIESEL FIRE PUMP DRIVER MODEL AF8-128	SCALE: NONE
DATE: 09/01/2020	PAGE 1
CHK BY: MJF	OF 1
DATE:	
APPROVED: DATE:	
PART NO:	MATERIAL:
PROJECTION:	
PROJECT:	



**NOTES:**

1. ALL PLUMBING MUST BE SUPPORTED AND/OR ISOLATED SO THAT NO WEIGHT OR STRESS IS APPLIED TO ANY ENGINE COMPONENT.
2. REFER TO SPECIFIC MODELS' INSTALLATION, OPERATION & MAINTENANCE MANUAL FOR INSTALLATION GUIDELINES.

								REV UNITS IN (MM)
							NAME: INSTALLATION DRAWING DIESEL FIRE PUMP DRIVER MODEL AF8-128	PROJECTION:
							DATE: 09/01/2020 DRW BY: MJF	PROJECT:
							DATE: 09/01/2020 CHK BY: MJF	PART NO.:
							DATE: 09/01/2020	SCALE: NONE
							APPROVED:	PAGE OF 1 1
							APVD:	MATERIAL:
							DWN: MJF	AF8-128-FRONT
							DESCRIPTION:	NONE
							CREATION:	1
							DATE: 09/01/2020	1
							REV:	1

